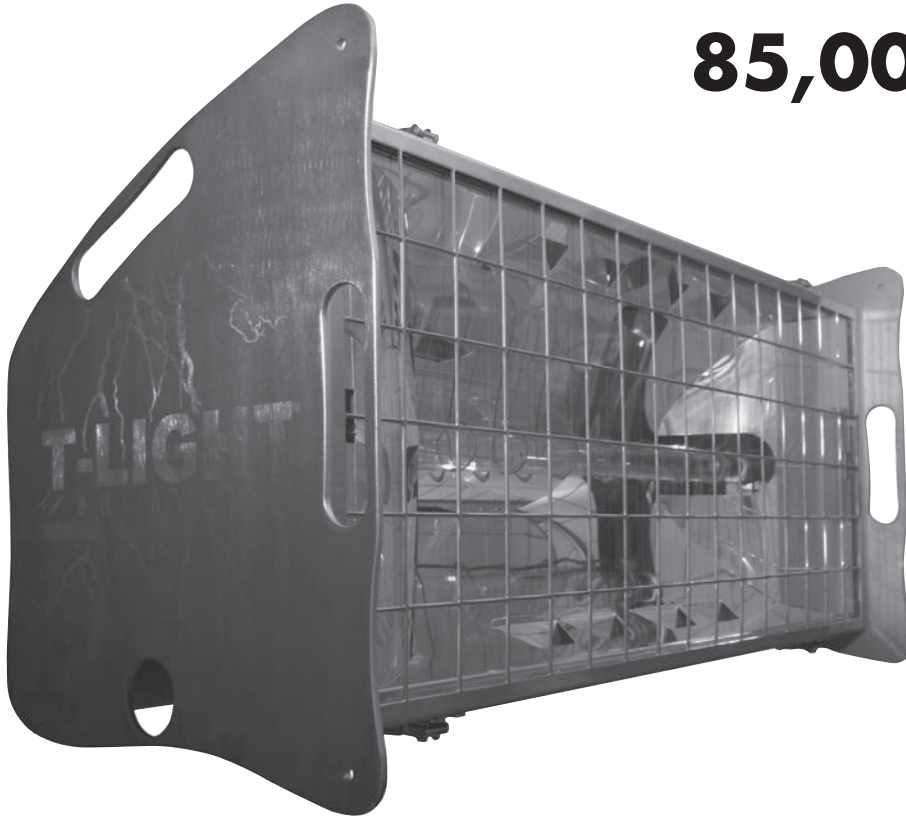


Bad-Ass Lightning Machine

85,000 Watts!



FEATURES

- Flash length from 1/30 sec to 3.5 sec.
- Stainless steel body lasts for years.
- DMX512 control.
- Beam is adjustable from spot to flood.
- Compact, fits into a Pelican[™] case.
- Has internal and thermal circuit breaker and residual current operated circuit breaker.
- Optional controllers can execute pre-programmed or customized lightning sequences at the push of a button or triggered via DMX512.



Worldwide Exclusive Distribution

sales@tmb.com

Los Angeles
+1 818.899.8818

London
+44 (0)20.8574.9700

tmb
www.tmb.com

New York
+1 201.896.8600

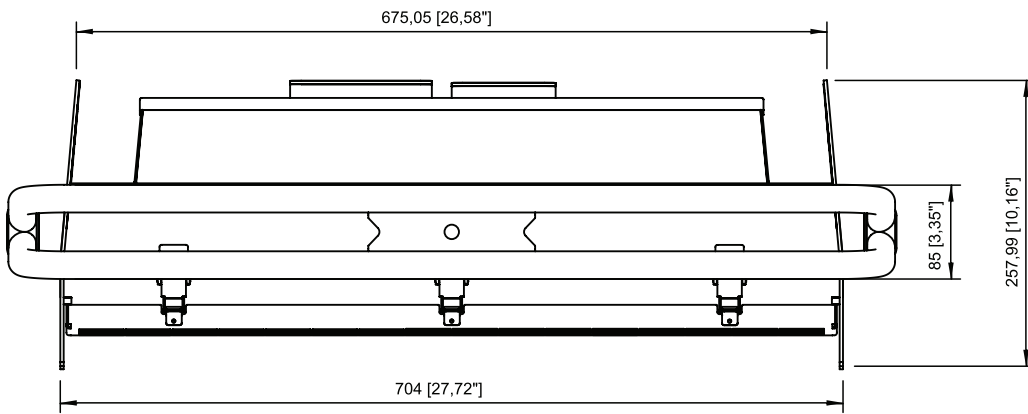
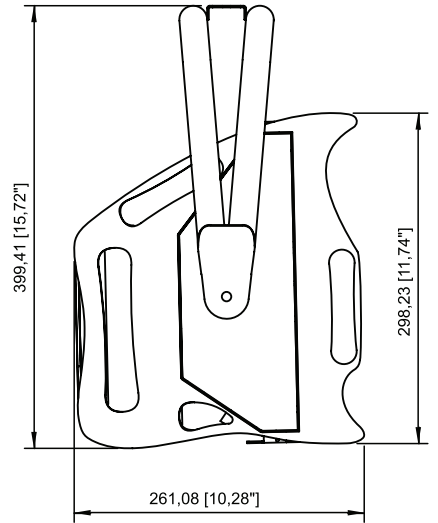
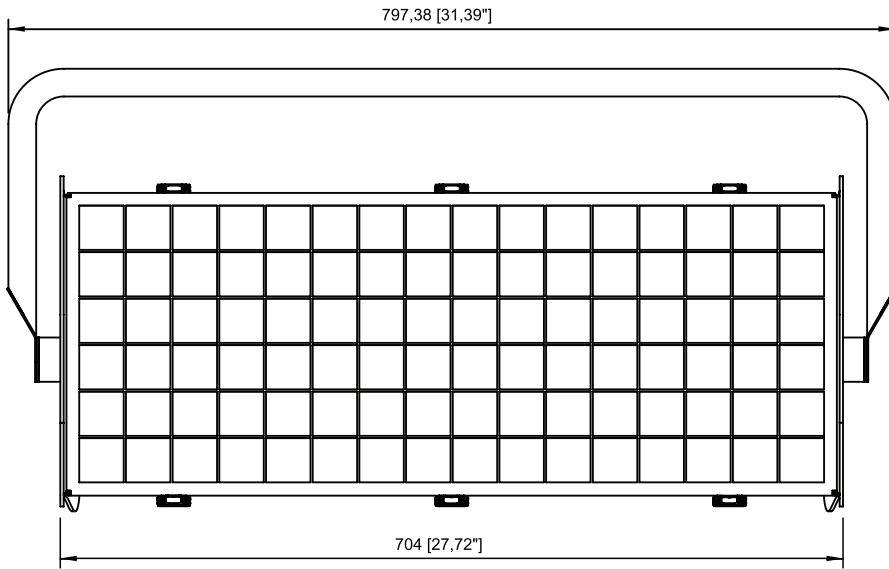
Beijing
+86 10.8492.1587

Toronto
+1 519.538.0888

Specifications		
Lamp	Maximum continuous flash discharge	3.5 sec
	Frequency of continuous mode	120 Hz
	Flash tube type	Proprietary Long Arc Xenon Tube
	Color temperature	5600° Kelvin
Control Parameters	Intensity control	
	Adjustable flash frequency	
Electronic & Safety Devices	Overheating protection	80°C, 110 °C, self resetting
	Self-test	Preprogrammed
	Indicator LED'S	Red: POWER Yellow: MODE/PROTECTION Green: DATA
Control System	Digital display and pushbutton programming of parameters	
	Number of channels	2
	Connection type	5-Pin XLR
	Supported protocols	DMX512
Power Supply	Nominal mains voltage	190-250 VAC, 50-60 Hz
	Power requirement	100A breaker
	Max. power draw	350A
Fixture & Housing	Protection from breaking flash tube	Soft spring suspension system
	Fixing	Adjustable Yoke
	Corrosion protection	Stainless steel body
	Unit Dimensions (HxWxD)	15" x 33" x 10" / 38 x 84 x 25 cm
	Shipping Dimensions (HxWxD)	21" x 41" x 19" / 53 x 104 x 48 cm
	Unit Weight	39 lb. / 17.7 kg
	Shipping Weight	54 lb. / 24.5 kg

Specifications and features are subject to change without notice.

Dimensions



Dimensions
in Millimeters
[Inches]