

High-Power UV that fits almost anywhere!



The latest addition to the Mozart “Perfect Pixels” range, the Mozart UV Fixture is compact, lightweight, IP65 rated for outdoor use, bright, with up to 40 Watts of LED power, and emits 100% pure UV light with absolutely zero visible light!

- Very compact and lightweight – great for small spaces and low weight-bearing structures
- 100% UV light, 0% visible light. [View independent test results](#)
- Remote Mozart Drive with easy parallel or daisy-chain power/data wiring up to 100 meters
- Dual-mode delivers up to 40 Watts of LED power
- Rain and dust resistant IP65 enclosure – use in all environments
- Remote addressing and dual-mode switching via RDM

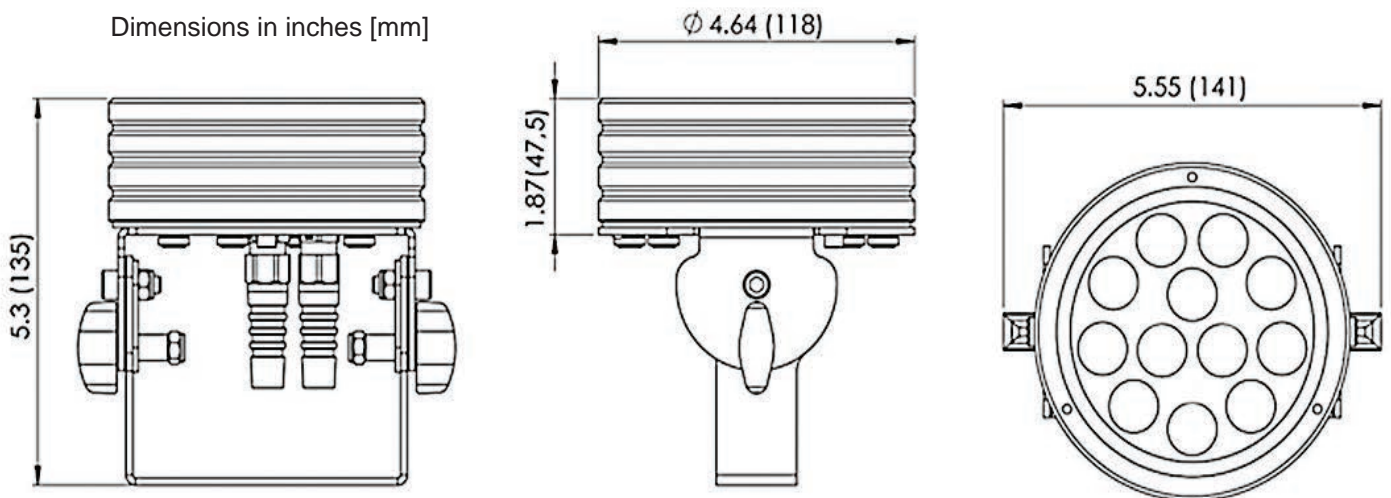


Worldwide Exclusive Distribution

Specifications	
LED Light Sources	12 UV 365 LUMINUS LEDs
Beam Angle Options	Narrow 11°, Wide 30°, Elliptical 11x34° (Full Width Half Maximum (FWHM))
Pixels per Fixture	1
DMX Channels per Fixture	1
Fixtures per Drive Output	8 max. in Normal Mode 5 max. in HiPower Mode
Colour LEDs	UV
Colour Mode	2 (UV, UV HiPower)
Refresh Rate	1200 Hz
Intensity Control	8-bit
Control	DMX512A, RDM
DC Power	48 V
Power Consumption	20 W or 40 W (in HiPower mode)
Cooling	Convection
IP Rating	IP65
Operating Temperature	-20°C to +40°C
Control/Power Connectors	In/Thru - Amphenol Sensor M12
Unit Dimensions (HxWxD)	4.6 x 5.5 x 5.3" [118 x 141 x 135 mm]
Shipping Dimensions (HxWxD)	6.75 x 7.5 x 7.5" [171 x 191 x 191 mm]
Unit Weight	3.25 lb [1.48 kg]
Shipping Weight	3.75 lb [1.7 kg]

Ordering Codes	
Ordering Code	Item
SOLMOZARTUVN	Mozart UV Fixture with Narrow 11° Lens
SOLMOZARTUVW	Mozart UV Fixture with Wide 30° Lens
SOLMOZARTUVE	Mozart UV Fixture with Elliptical 11x34° Lens
SOLMOZUVNAUV	11° Narrow Lens
SOLMOZUVWIUV	30° Wide Lens
SOLMOZUVELUV	11x34° Elliptical Lens
PPMO10PSUP	PortableMount 1-Output Drive
PPMO40PSU	RackMount 4-Output Drive
ZMOZEXT3P5	Solaris Mozart cable, IP68, 5 ft
ZMOZEXT3P10	Solaris Mozart cable, IP68, 10 ft
ZMOZEXT3P25	Solaris Mozart cable, IP68, 25 ft
ZMOZEXT3P50	Solaris Mozart cable, IP68, 50 ft
ZMOZEXT3P100	Solaris Mozart cable, IP68, 100 ft
PP2RMKITLS	2U RackMount Kit for PortableMount Drive
PRBHC3/8	ProBurger 2" aluminum half coupler, silver
PRBHC3/8B	ProBurger 2" aluminum half coupler, black
PRBHCSL	ProBurger 2" aluminum slim half coupler, silver
PRBHCSLB	ProBurger 2" aluminum slim half coupler, black
SAF1/8X30S	Safety cable, 1/8x30" w/snap, silver
SAF1/8X30B	Safety cable, 1/8x30" w/snap, black

Dimensions in inches [mm]



Unified power and control for all Solaris Mozart fixtures over a single cable



PortableMount 1-Output Drive
PPMO10PSUP



RackMount 4-Output Drive
PPMO40PSU

Specifications

	PortableMount 1-Output	RackMount 4-Output
Model	PortableMount 1-Output	RackMount 4-Output
Part Number	PPMO10PSUP	PPMO40PSU
Number of Mozart fixtures Connected	10 max. depending on fixture	40 max. 10 per output depending on fixture
Control Protocol	DMX 512A + RDM	DMX 512A + RDM, ArtNet, sACN (E1.31)
DMX Connectors	In/Thru - XLR 5-pin M/F	
Ethernet Connectors	N/A	2x Neutrik EtherCon RJ45
Power Input	100-240 VAC 50-60 Hz	
Power Consumption	200 W max.	1200 W max.
Power Connectors	PowerCon 20A IN/THRU	PowerCon 20A IN
DC Power Out	24 VDC	
Fixture Control/Power Connectors	1x Out - Amphenol Sensor M12	4x Out - Amphenol Sensor M12
Max. Fixture Cable Length	328 ft. [100 m] per output with fixtures at any interval.	
Cooling	Convection	Forced Air
Unit Dimensions (HxWxD)	4.7 x 8 x 10.7" [120 x 202 x 272 mm] with yoke 3.4 x 8 x 10.7" [87 x 202 x 272 mm] without yoke	19 x 3.5 x 12 in [482.6 x 88.1 x 304 mm]
Shipping Dimensions (HxWxD)	7.3 x 10.25 x 13.5" [186 x 261 x 343 mm]	20.75 x 7.5 x 15.75 in [527 x 191 x 400 mm]
Unit Weight	9.85 lb [4.46 kg]	17.25 lb [7.8 kg]
Shipping Weight	10.65 lb [4.82 kg]	19.10 lb [8.6 kg]



Worldwide Exclusive Distribution

sales@tmb.com

Los Angeles
+1 818.899.8818

London
+44 (0)20.8574.9700

tmb
www.tmb.com

New York
+1 201.896.8600

Beijing
+86 10.8492.1587

Toronto
+1 519.538.0888



Mozart UV

**HIGH-POWER UV
LED PIXEL**

CONTACT INFORMATION

LOS ANGELES HEADQUARTERS

527 Park Avenue | San Fernando, CA 91340, USA

Tel: +1 818.899.8818 | Fax: +1 818.899.8813

sales@tmb.com

TMB 24/7 TECH SUPPORT

US/Canada: +1.818.794.1286

Toll Free: 1.877.862.3833 (1.877.TMB.DUDE)

UK: +44 (0)20.8574.9739

Toll Free: 0800.652.5418

techsupport@tmb.com

LOS ANGELES +1 818.899.8818

LONDON +44 (0)20.8574.9700

NEW YORK +1 201.896.8600

BEIJING +86 10.8492.1587

CANADA +1 519.538.0888



A full service company providing technical support, customer service, and follow-up. Providing products and services for the industrial, entertainment, installation, defense, broadcast, research, telecommunications, and signage industries. Servicing the global market from offices in Los Angeles, London, New York, Toronto, and Beijing.