

## Decorative Set Lighting Fixture AND Fresnel

### Innovative Addition to the Mozart Family of “Perfect Pixel” LED Fixtures

The extremely bright Mozart One is controlled via DMX512 protocol with RDM functionality. Due to its extremely compact size and low profile, Mozart One is ideal for stage sets and scenery.

Mozart One features one pixel comprised of six RGBW CREE XM-L LEDs beneath a single lens! A camera-friendly 1200 Hz refresh rate, 8-bit color dimming control, and three operating modes – 1-pixel WHITE (1 ch), 1-pixel RGB (3 ch), and 1-pixel RGBW (4 ch) – make Mozart One the most versatile single-lens LED fixture available today.



- One RGBW, single-lens “pixel”
- 1, 3, or 4 channels – White, RGB, or RGBW
- Standard and HiPower modes
- IP65 rated, for indoor/outdoor use
- Perfect for set lighting and stages



### Worldwide Exclusive Distribution

[sales@tmb.com](mailto:sales@tmb.com)

Los Angeles  
+1 818.899.8818

London  
+44 (0)20.8574.9700

**tmb**  
[www.tmb.com](http://www.tmb.com)

New York  
+1 201.896.8600

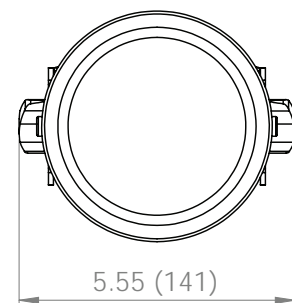
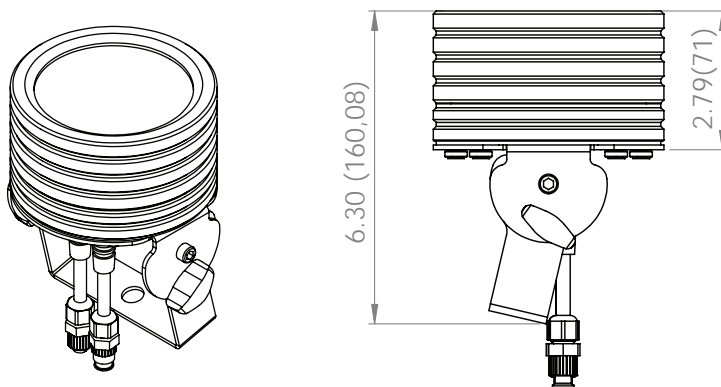
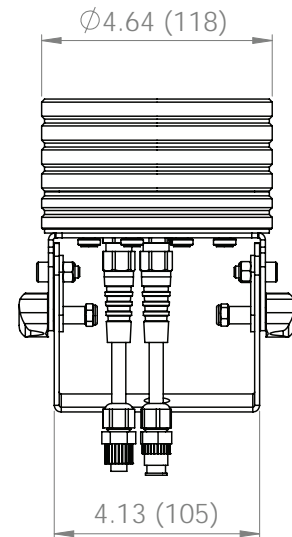
Beijing  
+86 10.8492.1587

Toronto  
+1 519.538.0888

Specifications			
Part Number		SOLMOZARTONE	
Beam Angle		~120°	
LED Light Sources		6 CREE XM-L LEDs (beneath single lens)	
Peak Color Wavelength (manufacturer rated)		Red: 632 nm	
		Green: 519 nm	
		Blue: 452 nm	
Peak Lumens	Mode	Standard	HiPower
	Red	296 lm	298 lm
	Green	326 lm	327 lm
	Blue	80 lm	81 lm
	White	422 lm	422 lm
	RGB	393 lm	450 lm
	RGBW	272 lm	544 lm
Pixels per Fixture		1	
DMX Channels per Fixture		1, 3, 4	
Fixtures per Drive Output		8 max. in Normal Mode 5 max. in HiPower Mode	
Color LED's		RGBW	
Color Mode		WHITE, RGB, RGBW	
Refresh Rate		1200 Hz	
Intensity Control		8-bit	
Control		DMX512A, RDM	
DC Power		48 V	
Power Consumption		20 W	
Cooling		Convection	
IP Rating		IP65	
Operating Temperature		-20 °C - +40 °C	
Control/Power Connectors		In/Out - Amphenol Sensor M12	
Unit Dimensions (HxWxD)		5.55 x 4.64 x 6.3" [141 x 118 x 160.1 mm]	
Shipping Dimensions (HxWxD)		6.75 x 7.5 x 7.5" [171 x 191 x 191 mm]	
Unit Weight		3.85 lbs. [1.75 kg]	
Shipping Weight		4.5 lbs. [2.04 kg]	

Ordering Codes	
Ordering Code	Item
SOLMOZARTONE	Mozart One Fixture
SOLMOZARTONEBDR	Mozart One Barndoor
PPMO10PSUP	PortableMount 1-Output Drive
PPMO40PSU	RackMount 4-Output Drive
ZMOZEXT3P5	Solaris Mozart cable, IP68, 5 ft
ZMOZEXT3P10	Solaris Mozart cable, IP68, 10 ft
ZMOZEXT3P25	Solaris Mozart cable, IP68, 25 ft
ZMOZEXT3P50	Solaris Mozart cable, IP68, 50 ft
ZMOZEXT3P100	Solaris Mozart cable, IP68, 100 ft
PP2RMKITLS	2U RackMount Kit for PortableMount Drive

Dimensions in Inches (mm)



Unified power and control for all Solaris Mozart fixtures over a single cable



PortableMount 1-Output Drive  
PPMO10PSUP



RackMount 4-Output Drive  
PPMO40PSU

Specifications		
Model	PortableMount 1-Output	RackMount 4-Output
Part Number	PPMO10PSUP	PPMO40PSU
Number of Mozart fixtures connected	10 max. depending on fixture	40 max. 10 per output depending on fixture
Control Protocol	DMX 512A + RDM	DMX 512A + RDM, ArtNet, sACN (E1.31)
DMX Connectors	In/Thru - XLR 5-pin M/F	
Ethernet Connectors	N/A	2x Neutrik EtherCon RJ45
Power Input	100-240 VAC 50-60 Hz	
Power Consumption	200 W max.	1200 W max.
Power Connectors	PowerCon 20A IN/THRU	PowerCon 20A IN
DC Power Out	24 VDC	
Fixture Control/Power Connectors	1x Out - Amphenol Sensor M12	4x Out - Amphenol Sensor M12
Max. Fixture Cable Length	328 ft. [100 m] per output with fixtures at any interval.	
Cooling	Convection	Forced Air
Unit Dimensions (HxWxD)	4.7 x 8 x 10.7" [120 x 202 x 272 mm] with yoke 3.4 x 8 x 10.7" [87 x 202 x 272 mm] without yoke	19 x 3.5 x 12 in [482.6 x 88.1 x 304 mm]
Shipping Dimensions (HxWxD)	7.3 x 10.25 x 13.5" [186 x 261 x 343 mm]	20.75 x 7.5 x 15.75 in [527 x 191 x 400 mm]
Unit Weight	9.85 lb [4.46 kg]	17.25 lb [7.8 kg]
Shipping Weight	10.65 lb [4.82 kg]	19.10 lb [8.6 kg]



**Worldwide Exclusive Distribution**

sales@tmb.com

Los Angeles  
+1 818.899.8818

London  
+44 (0)20.8574.9700

**tmb**  
www.tmb.com

New York  
+1 201.896.8600

Beijing  
+86 10.8492.1587

Toronto  
+1 519.538.0888

# CONTACT INFORMATION

## **LOS ANGELES HEADQUARTERS**

527 Park Avenue | San Fernando, CA 91340, USA

Tel: +1 818.899.8818 | Fax: +1 818.899.8813

[sales@tmb.com](mailto:sales@tmb.com)

## **TMB 24/7 TECH SUPPORT**

US/Canada: +1.818.794.1286

Toll Free: 1.877.862.3833 (1.877.TMB.DUDE)

UK: +44 (0)20.8574.9739

Toll Free: 0800.652.5418

[techsupport@tmb.com](mailto:techsupport@tmb.com)

LOS ANGELES +1 818.899.8818

LONDON +44 (0)20.8574.9700

NEW YORK +1 201.896.8600

BEIJING +86 10.8492.1587

CANADA +1 519.538.0888



A full service company providing technical support, customer service, and follow-up. Providing products and services for the industrial, entertainment, installation, defense, broadcast, research, telecommunications, and signage industries. Servicing the global market from offices in Los Angeles, London, New York, Toronto, and Beijing.