

## Decorative Set Lighting Fixture AND Fresnel

### Innovative Addition to the Mozart Family of “Perfect Pixel” LED Fixtures

The extremely bright Mozart One is controlled via DMX512 protocol with RDM functionality. Due to its extremely compact size and low profile, Mozart One is ideal for stage sets and scenery.

Mozart One features one pixel comprised of six RGBW CREE XM-L LEDs beneath a single lens! A camera-friendly 1200 Hz refresh rate, 8-bit colour dimming control, and three operating modes – 1-pixel WHITE (1 ch), 1-pixel RGB (3 ch), and 1-pixel RGBW (4 ch) – make Mozart One the most versatile single-lens LED fixture available today.



- One RGBW, single-lens “pixel”
- 1, 3, or 4 channels – White, RGB, or RGBW
- Standard and HiPower modes
- IP65 rated, for indoor/outdoor use
- Perfect for set lighting and stages



### Worldwide Exclusive Distribution

Los Angeles  
+1 818.899.8818

London  
+44 (0)20.8574.9700

New York  
+1 201.896.8600

**tmb**  
www.tmb.com

Toronto  
+1 519.538.0888

Beijing  
+86 10.8492.1587

Riga  
+371 6389 8886

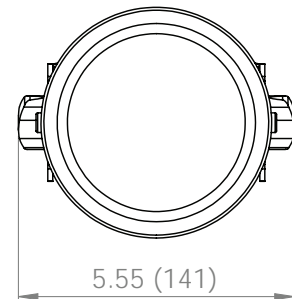
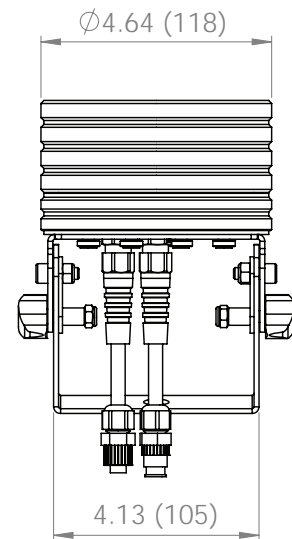
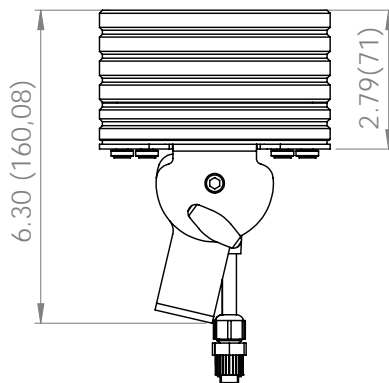
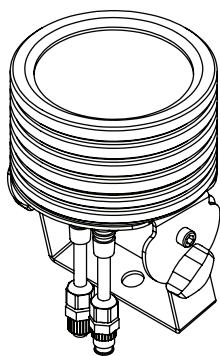
### Specifications

Part Number	SOLMOZARTONE		
Beam Angle	~120°		
LED Light Sources	6 CREE XM-L LEDs (beneath single lens)		
Peak Colour Wavelength (manufacturer rated)	Red: 632 nm		
	Green: 519 nm		
	Blue: 452 nm		
Peak Lumens	Mode	Standard	HiPower
	Red	296 lm	298 lm
	Green	326 lm	327 lm
	Blue	80 lm	81 lm
	White	422 lm	422 lm
	RGB	393 lm	450 lm
	RGBW	272 lm	544 lm
Pixels per Fixture	1		
DMX Channels per Fixture	1, 3, 4		
Fixtures per Drive Output	8 max. in Standard Mode 5 max. in HiPower Mode		
Colour LED's	RGBW		
Colour Mode	WHITE, RGB, RGBW		
Refresh Rate	1200 Hz		
Intensity Control	8-bit		
Control	DMX512A, RDM		
DC Power	48 V		
Power Consumption	20 W		
Cooling	Convection		
IP Rating	IP65		
Operating Temperature	-20 to +40 °C		
Control/Power Connectors	In/Out - Amphenol Sensor M12		
Unit Dimensions (HxWxD)	5.55 x 4.6 x 6.3 in [141 x 118 x 160 mm]		
Shipping Dimensions (HxWxD)	6.75 x 7.5 x 7.5 in [171 x 191 x 191 mm]		
Unit Weight	3.85 lbs. [1.75 kg]		
Shipping Weight	4.5 lbs. [2.04 kg]		

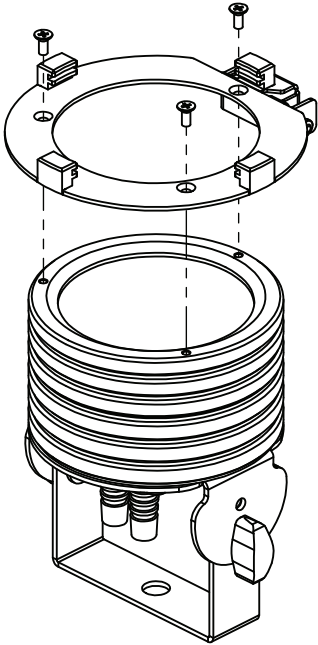
### Ordering Codes

Ordering Code	Item
SOLMOZARTONE	Mozart One Fixture
SOLMOZART1MBA	Accessory Mount
SOLMOZART1BD	4-way Barndoor Accessory
SOLMOZART1FF	Filter Frame Accessory
SOLMOZART1TH	Top Hat Accessory
SOLMOZART1HH	Half Hat Accessory
SOLMOZART1FE	Filter Extender Accessory
SOLMOZART1RL	Concentric Ring Louvre Accessory
PPMO10PSUP	PortableMount 1-Output Drive
PPMO40PSU	RackMount 4-Output Drive
ZMOZEXT3P2M	Solaris Mozart cable, IP68, 2 metre
ZMOZEXT3P5M	Solaris Mozart cable, IP68, 5 metre
ZMOZEXT3P10M	Solaris Mozart cable, IP68, 10 metre
ZMOZEXT3P20M	Solaris Mozart cable, IP68, 20 metre
ZMOZEXT3P30M	Solaris Mozart cable, IP68, 30 metre
PP2RMKITLS	2U RackMount Kit for PortableMount Drive

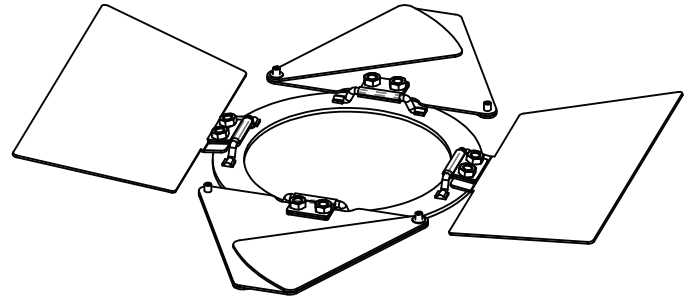
Dimensions in Inches (mm)



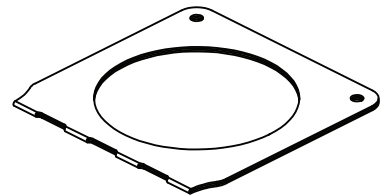
Accessories are compatible with Mozart One, Mozart One FLR, and Mozart UV



Accessory Mount  
SOLMOZART1MBA  
Mounts to nose of fixture. Has  
2 slots for a filter frame and one  
other possible accessory

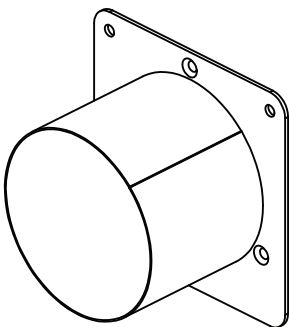


4-Way Barndoor  
SOLMOZART1BD  
Requires Accessory Mount

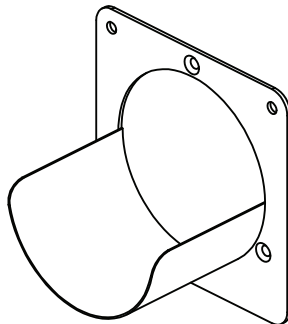


Filter Frame  
SOLMOZART1FF  
Requires Accessory Mount

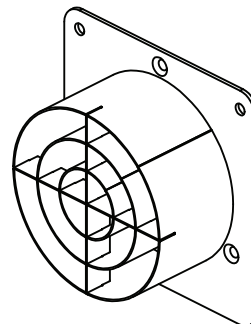
The accessories below can be used with the Accessory Mount or bolted directly to the fixture



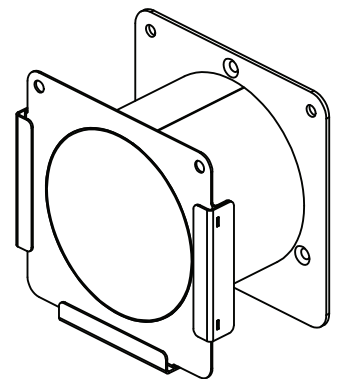
Top Hat  
SOLMOZART1TH



Half Hat  
SOLMOZART1HH



Concentric Ring Louvre  
SOLMOZART1RL



Filter Extender  
SOLMOZART1FE

Unified power and control for all Solaris Mozart fixtures over a single cable



PortableMount 1-Output Drive  
PPMO10PSUP



RackMount 4-Output Drive  
PPMO40PSU

## Specifications

Model	PortableMount 1-Output	RackMount 4-Output
Part Number	PPMO10PSUP	PPMO40PSU
Number of Mozart fixtures connected	10 max. depending on fixture	40 max. 10 per output depending on fixture
Control Protocol	DMX 512A + RDM	DMX 512A + RDM, ArtNet, sACN (E1.31)
DMX Connectors	In/Thru - XLR 5-pin M/F	
Ethernet Connectors	N/A	2x Neutrik EtherCon RJ45
Power Input	100-240 VAC 50-60 Hz	
Power Consumption	200 W max.	1200 W max.
Power Connectors	PowerCon 20A IN/THRU	PowerCon 20A IN
DC Power Out	48 VDC	
Fixture Control/Power Connectors	1x Out - Amphenol Sensor M12	4x Out - Amphenol Sensor M12
Max. Fixture Cable Length	328 ft. [100 m] per output with fixtures at any interval.	
Cooling	Convection	Forced Air
Unit Dimensions (HxWxD)	4.7 x 8 x 10.7 in [120 x 202 x 272 mm] with yoke 3.4 x 8 x 10.7 in [87 x 202 x 272 mm] without yoke	19 x 3.5 x 12 in [482.6 x 88.1 x 304 mm]
Shipping Dimensions (HxWxD)	7.3 x 10.25 x 13.5 in [186 x 261 x 343 mm]	20.75 x 7.5 x 15.75 in [527 x 191 x 400 mm]
Unit Weight	9.85 lb [4.46 kg]	17.25 lb [7.8 kg]
Shipping Weight	10.65 lb [4.82 kg]	19.10 lb [8.6 kg]



## Worldwide Exclusive Distribution

Los Angeles  
+1 818.899.8818

London  
+44 (0)20.8574.9700

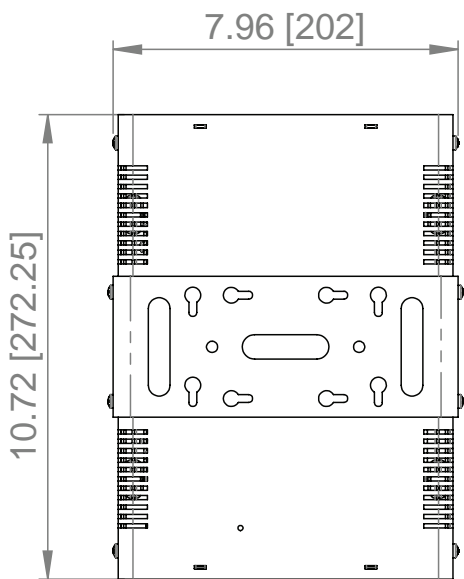
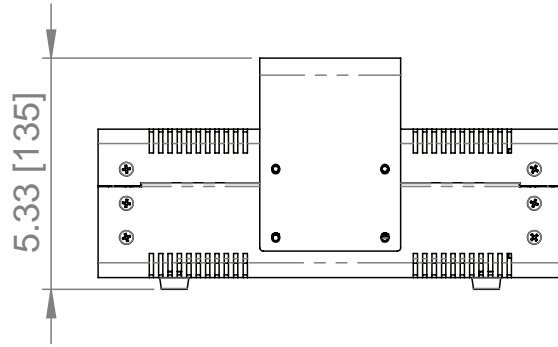
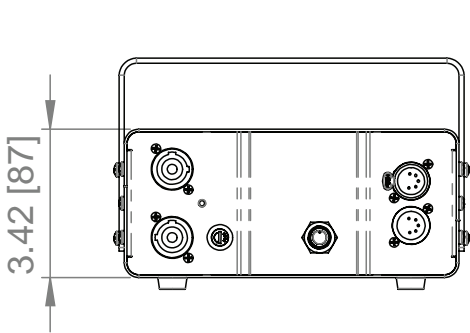
New York  
+1 201.896.8600



Toronto  
+1 519.538.0888

Beijing  
+86 10.8492.1587

Riga  
+371 6389 8886



Dimensions in inches [millimetres]

