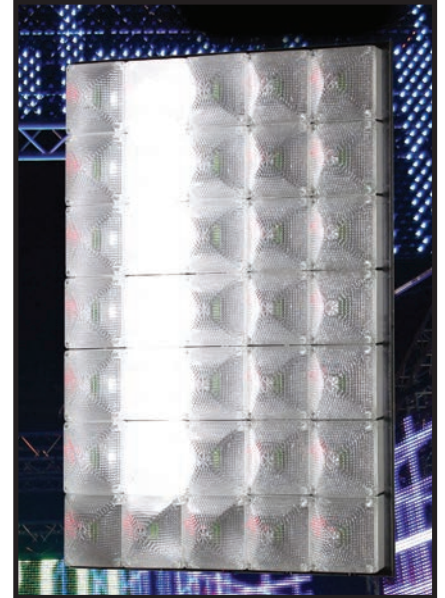
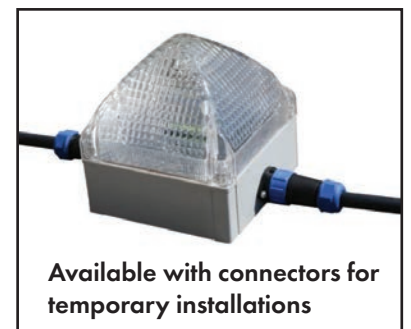
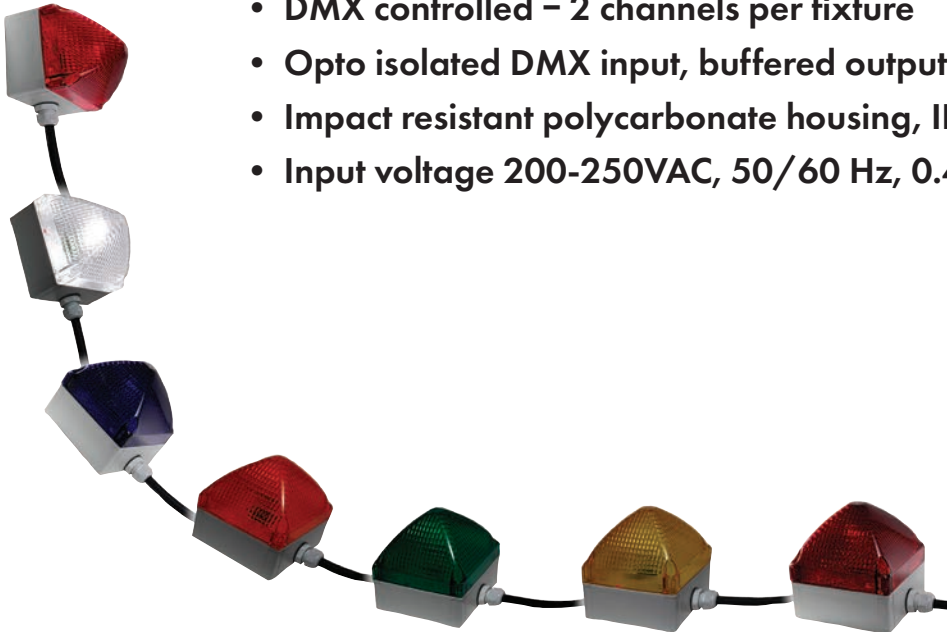


DMX Controlled Architectural Strobe/Warning Light



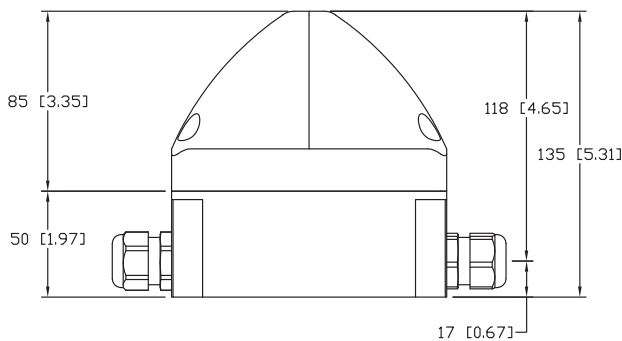
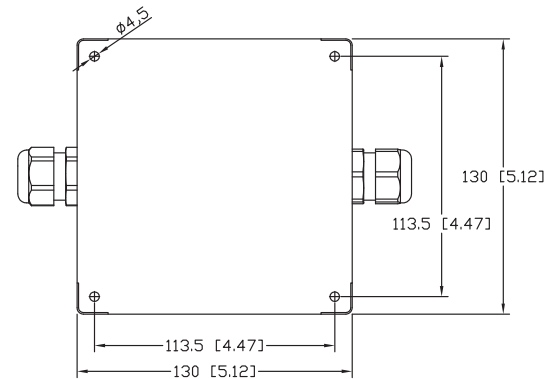
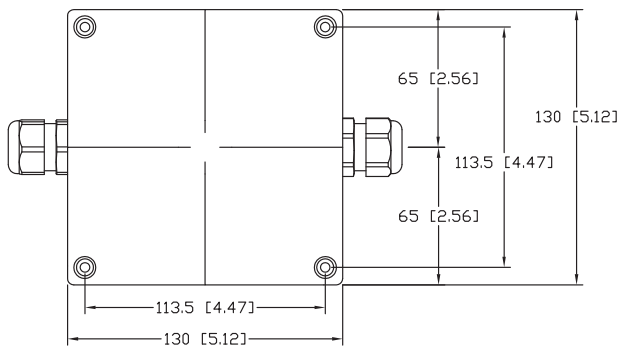
- 35 Joule flash energy, visible for miles
- DMX controlled – 2 channels per fixture
- Opto isolated DMX input, buffered output
- Impact resistant polycarbonate housing, IP65, UV resistant
- Input voltage 200-250VAC, 50/60 Hz, 0.4A



Worldwide Exclusive Distribution

Specifications	
Lamp Type	Xenon
Flash Energy	35 Joule
Lens Colours	Clear, Red, Yellow, Orange, Green, Turquoise, Blue, Purple
Control	DMX512, Optically Isolated
Number of channels	2 - Flash Rate/Intensity
Connection type	Hardwire or IP68 rated connectors for temporary use
Housing Material	Polycarbonate, UV resistant
IP Rating	IP65
Nominal mains voltage	200-250 VAC, 50-60 Hz
Max. power draw	0.4 A
Unit Dimensions (HxWxD)	5.3 x 5.1 x 5.1 in [135 x 130 x 130 mm] without connectors or cable glands
Unit weight	1.65 lb. (750 g)

Ordering Codes	
SOLCF35	CF-35 Fixture with cable glands
SOLCF35C	CF-35 Fixture with locking connectors
SOLCF35CL	CF-35 Lens, Clear
SOLCF35CLF	CF-35 Lens, Clear, Frosted
SOLCF35BEF	CF-35 Lens, Blue, Frosted
SOLCF3GNF	CF-35 Lens, Green, Frosted
SOLCF35OEF	CF-35 Lens, Orange, Frosted
SOLCF35PEF	CF-35 Lens, Purple, Frosted
SOLCF35RDF	CF-35 Lens, Red, Frosted
SOLCF35TQF	CF-35 Lens, Turquoise, Frosted
SOLCF35YWF	CF-35 Lens, Yellow, Frosted
SOLCF35.2	Cable Glands
SOLCF35CONCF	Locking Connector, Chassis-mount, Female
SOLCF35CONCM	Locking Connector, Chassis-mount, Male
SOLCF35CONLF	Locking Connector, Line-mount, Female
SOLCF35CONLM	Locking Connector, Line-mount, Male



Dimensions in MM [Inch]