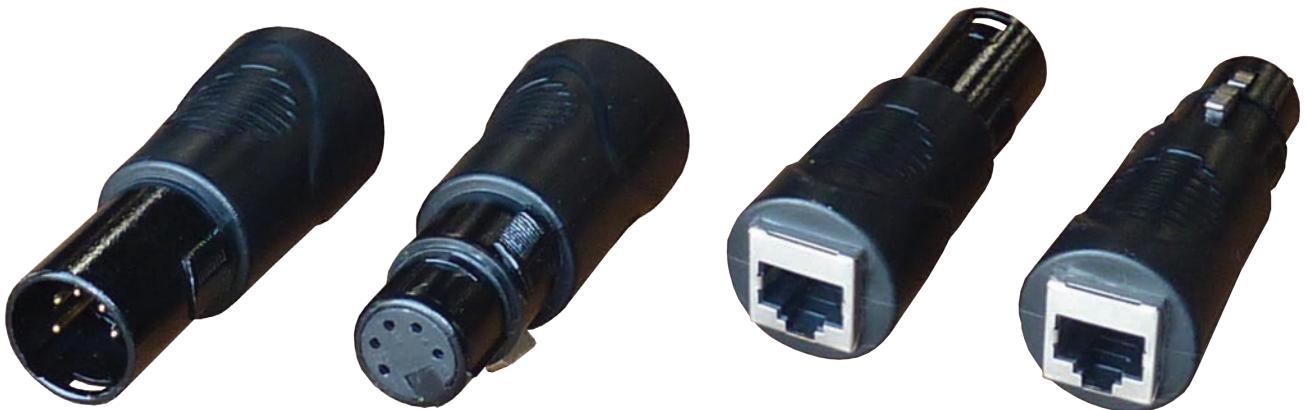


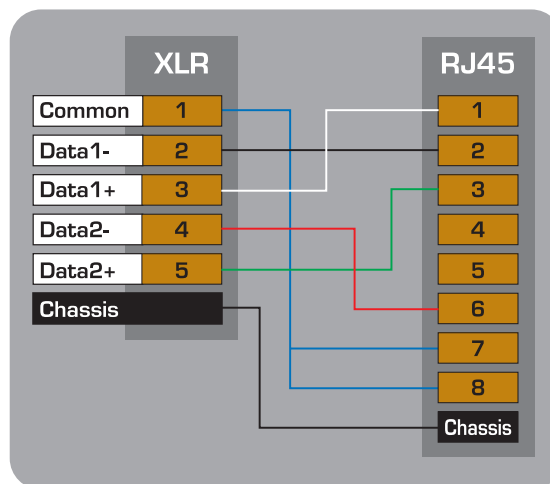


RJ45 / XLR Adapter



- Male or female 5-pin XLR to RJ45.
- Plug directly into any DMX-controlled fixture with standard CAT5 cable for quick and easy installations.
- Rugged, molded housing with non-slip polymer finger grips.
- Solid-body form factor – no extra parts to break.
- Compact! Fits in the tightest tool bags – or jeans!

*Fully compliant with
PLASA/ANSI E1.11-2008
(R2013) Clause 7.3 Table 4
- Connection Schedule for
DMX512 Equipment Using
IEC 60603-7 8-Position
Modular Connectors*



Innovative, Performance-Driven Show Technology Since 1983

tmb.com

Los Angeles

London

New York

Beijing

Toronto

+1 818-899-8818

+44 (0)20-8574-9700

+1 201-896-8600

+86 10-8492-1587

+1 519-538-0888

