

ProPlex[®]

DATA DISTRIBUTION

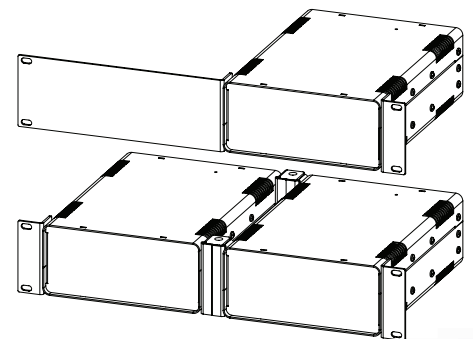
Opto-Splitter 2x8 PortableMount DMX512 optically isolated splitter/repeater

Two DMX512 inputs, each with DMX Thru, individually switchable to up to 8 isolated outputs. Full RDM functionality. RDM defeat switch on each input!
Also available without RDM.



High-performance, tour-grade signal management solutions!

- Rugged “BSH” PortableMount enclosure with removable truss yoke
- Two Inputs + Thru, individually switchable to up to 8 isolated Outputs
- Available with or without RDM
- Single and Dual RackMount Kits available
- Neutrik™ connectors: Locking PowerCon mains and XLR
- Shock-mounted circuitry. Designed for extreme conditions and temperatures



2U RackMount Kits available

Worldwide Exclusive Distribution

Innovative, Performance-Driven Show Technology Since 1983

tmb.com

Los Angeles

London

New York

Beijing

Toronto

+1 818-899-8818

+44 (0)20-8574-9700

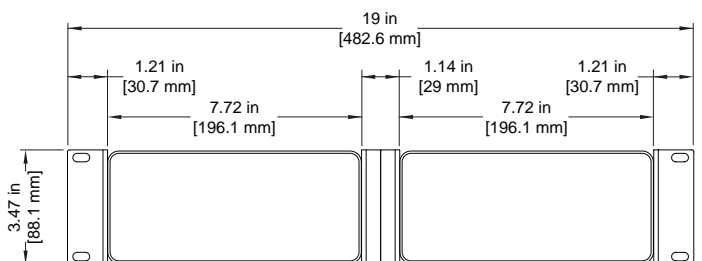
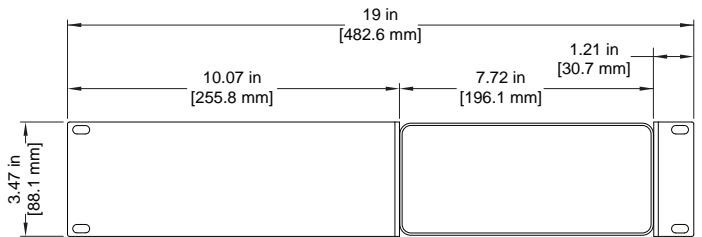
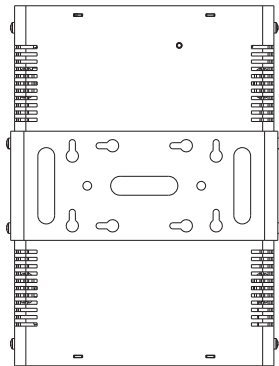
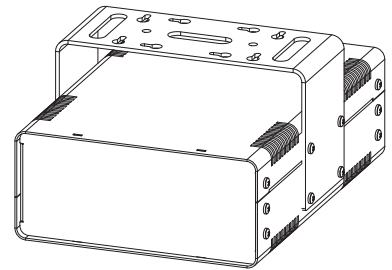
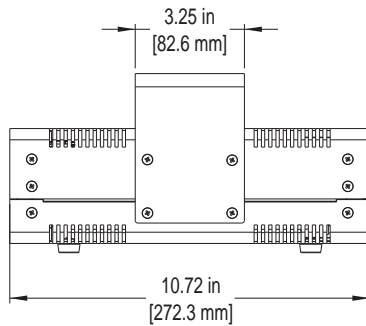
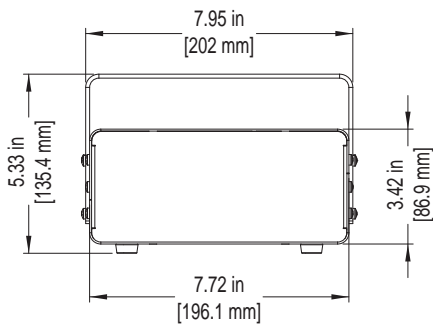
+1 201-896-8600

+86 10-8492-1587

+1 519-538-0888



Technical Specifications		
Model	Opto-Splitter 2x8 RDM	Opto-Splitter 2x8 Non-RDM
Part Number	PPDDS285RP	PPDDS285P
DMX Inputs	2 XLR5 Male (back panel)	
DMX Thru	2 XLR5 Female (back panel)	
DMX Outputs	8 Isolated XLR5 Female	
DMX Signal	DMX-512A	
RDM	Yes, individually defeatable for each input.	None
Signal Delay	REGENERATION mode: 2μsec	
In/Out/Out Isolation	Optical to 1000V	
Power	100-240 VAC, 50-60 Hz (consumption 10W)	
Mains Connector	Neutrik™ PowerCON NCA3MPA	
Fuse	1A, 250V	
Cooling	Convection	
Operating Temperature	-4 to +104 °F (-20 to +40 °C)	
Operating Humidity	10 - 85%	
Unit Dimensions (WxHxD)	4.7 x 8 x 10.7" [120 x 202 x 272 mm] with yoke 3.4 x 8 x 10.7" [87 x 202 x 272 mm] without yoke	
Shipping Dimensions (WxHxD)	7.3 x 10.25 x 13.5" [186 x 261 x 343 mm]	
Unit Weight (unpacked)	8 lbs (3.6 kg)	TBD
Shipping Weight	9.3 lbs (4.2 kg)	TBD



2U RackMount Kits