

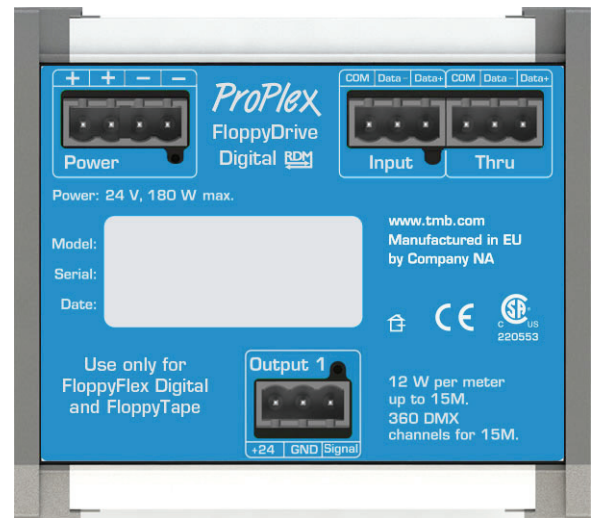
The Leader in Touring Technology, Now Coming to a Building Near You!

FloppyDrive



DMX dimming for 12 or 24V LED Tapes, Neons, and other low voltage systems. Two 12V or 24V 2-, 3-, 4-, or 5-wire outputs. Perfect for FloppyFlex and FloppyTape.

FloppyDrive Digital



DMX "pixel" control for RGB or RGBW FloppyFlex Digital. One 24V output drives up to 15m of RGB and 10m of RGBW FloppyFlex Digital.

- DMX dimming for 12 or 24V LED Tapes, Neons, and other low voltage systems of all types. Perfect for FloppyFlex and FloppyTape.
- Addressing, monitoring and reporting of all functions, via RDM
- 1200Hz flicker-free refresh rate
- Pluggable Terminal Block (PTB) screw terminals for bare-wire, installation flexibility
- Complete range of DIN Rail Devices and Drives to make a complete system!



Worldwide Exclusive Distribution

sales@tmb.com

Los Angeles
+1 818.899.8818

London
+44 (0)20.8574.9700

tmb
www.tmb.com

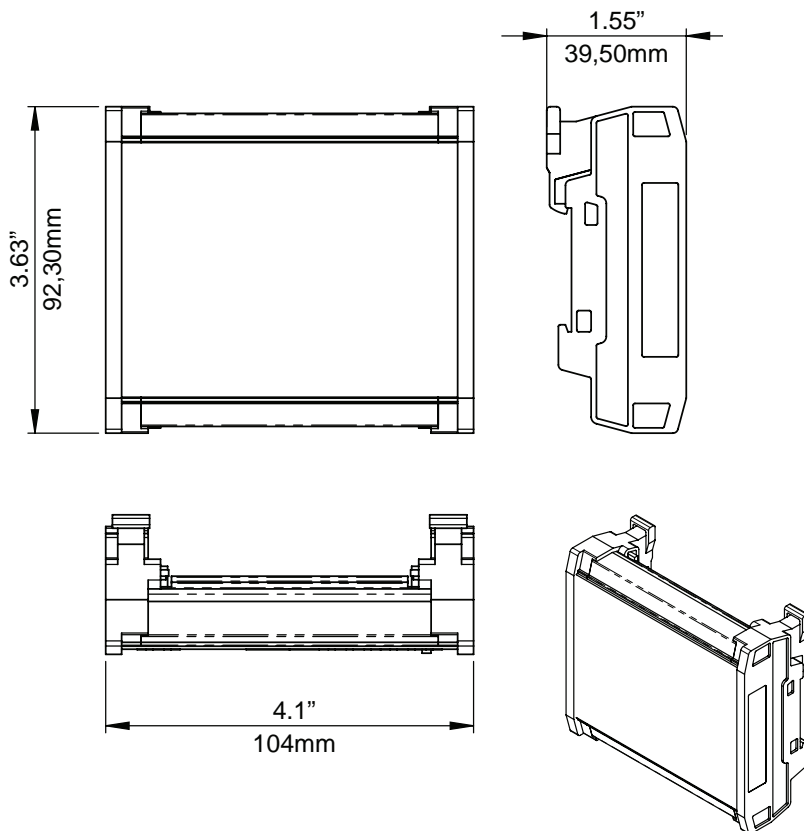
New York
+1 201.896.8600

Beijing
+86 10.8492.1587

Toronto
+1 519.538.0888

ProPlex DIN Rail FloppyDrive Specifications				
Model	2x2 - Single Color	3x2 - Dynamic White	4x2 - RGB	5x2 - RGBW/A
Part Number	PPFDDIN2	PPFDDIN3	PPFDDIN4	PPFDDIN5
Output Channels	2	4	6	8
Current per Channel	5A	2.5A	1.67A	1.25A
RDM support	Yes			
Operating Voltage	12 or 24 VDC (Requires external power supply)			
Number of Outputs	2			
Output Voltage	12 or 24 VDC			
Output power	Up to 240W. Consult LED tape or neon specifications for max. run lengths.			
Number of Universes	1			
Power Input	Pluggable Terminal Block (PTB) 4-terminal ¹			
Data Input	Pluggable Terminal Block (PTB) 3-terminal ¹			
Data Thru	Pluggable Terminal Block (PTB) 3-terminal ¹			
Power/Data Outputs	2x Pluggable Terminal Block (PTB) 2-terminal ¹	2x Pluggable Terminal Block (PTB) 3-terminal ¹	2x Pluggable Terminal Block (PTB) 4-terminal ¹	2x Pluggable Terminal Block (PTB) 5-terminal ¹
Operating Temp.	-22 °F - 104 °F [-30 °C - +40 °C]			
Dimensions (HxWxD)	1.55" x 4.1" x 3.63" [39.5 x 104 x 92.3 mm]			
Weight	5.6 oz [159 g]	5.6 oz [159 g]	5.6 oz [159 g]	5.6 oz [159 g]

¹ Included



ProPlex DIN Rail FloppyDrive Digital Specifications	
Part Number	PPFDDIN
RDM support	Yes
Operating Voltage	24 VDC (Requires external power supply)
Number of Outputs	1
Output Voltage	24 VDC
Power	Up to 7.5A, 24 VDC
Output power	Up to 180W. Consult FloppyFlex specifications for max. run lengths.
Number of Universes	1
Power Input	Pluggable Terminal Block (PTB) 4-terminal ¹
Data Input	Pluggable Terminal Block (PTB) 3-terminal ¹
Data Thru	Pluggable Terminal Block (PTB) 3-terminal ¹
Power/Data Outputs	Pluggable Terminal Block (PTB) 3-terminal ¹
Operating Temp.	-22 °F - 104 °F [-30 °C - +40 °C]
Dimensions (HxWxD)	1.55" x 4.1" x 3.63" [39.5 x 104 x 92.3 mm]
Weight	5.6 oz [159 g]

¹ Included