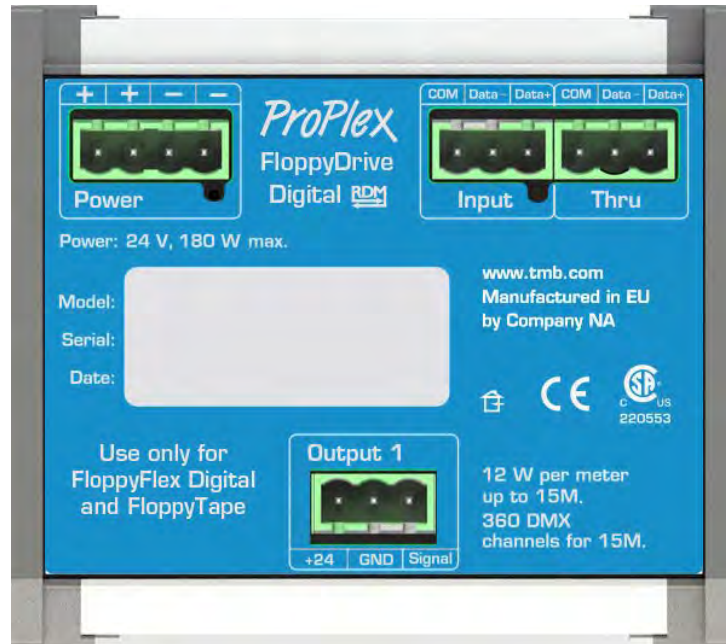


ProPlex FloppyDrive Digital DIN Rail

Quick Start Guide



TMB 24/7 Technical Support

US/Canada: +1 818.794.1286
Toll Free: 1 877.862.3833 (877.TMB.DUDE)
UK: +44 (0)20.8574.9739
Toll Free: 0800.652.5418
e-mail: techsupport@tmb.com

Innovative, Performance-Driven Show Technology Since 1983

tmb.com

Los Angeles

London

New York

Beijing

Toronto

+1 818-899-8818

+44 (0)20-8574-9700

+1 201-896-8600

+86 10-8492-1587

+1 519-538-0888



Setup

ProPlex DIN Rail devices use a standard Phoenix MSTB screw terminal connector in various pin configurations. Please refer to the wiring diagrams below for correct hook up of your ProPlex DIN Rail product.

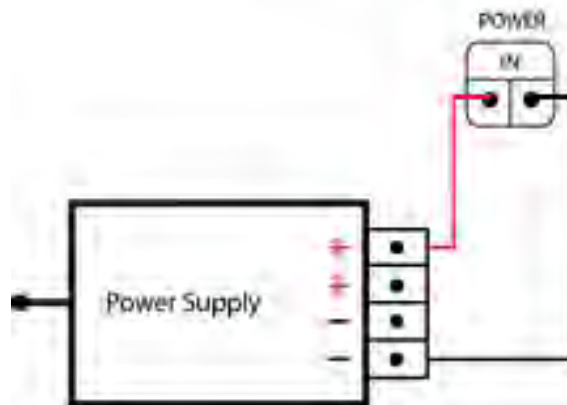


The ProPlex FloppyDrive Digital DIN Rail must operate at 24 VDC. It can drive a maximum of 15m of 12W per meter Firefly FloppyFlex Digital LED neon and can control a maximum of 120 pixels of RGB.

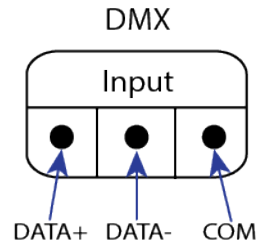
Addressing and mode selection is done via RDM protocol.

1. Connect the DC power (24V) to the power input located in the left top corner. The connector should be wired as follows:

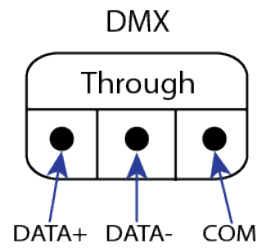
24 VDC Supply



2. Connect the DMX signal input to the DMX input located in the right top corner of the unit. The connector should be wired as follows:

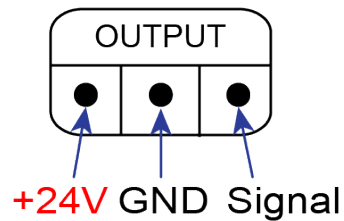


2.1 To pass DMX to another device, connect the DMX cable to the DMX Thru port located in the right top corner of the unit. The connector should be wired as follows:

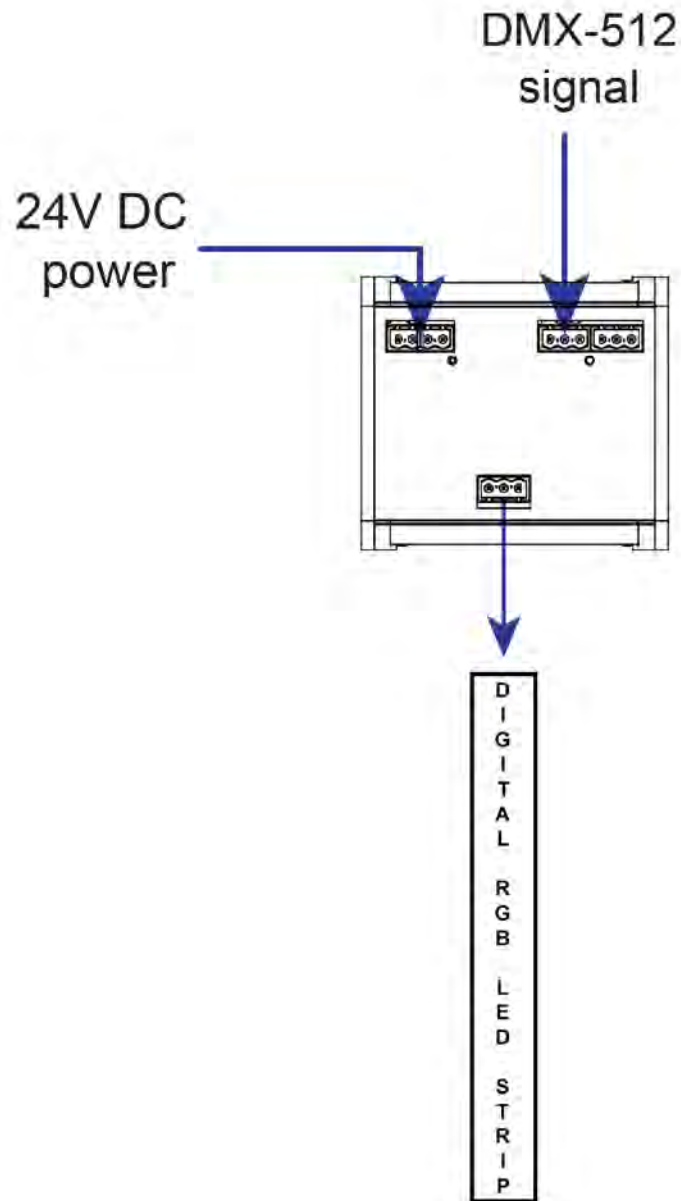


3. Connect the FloppyFlex Digital to the output connector of the FloppyDrive Digital DIN Rail.

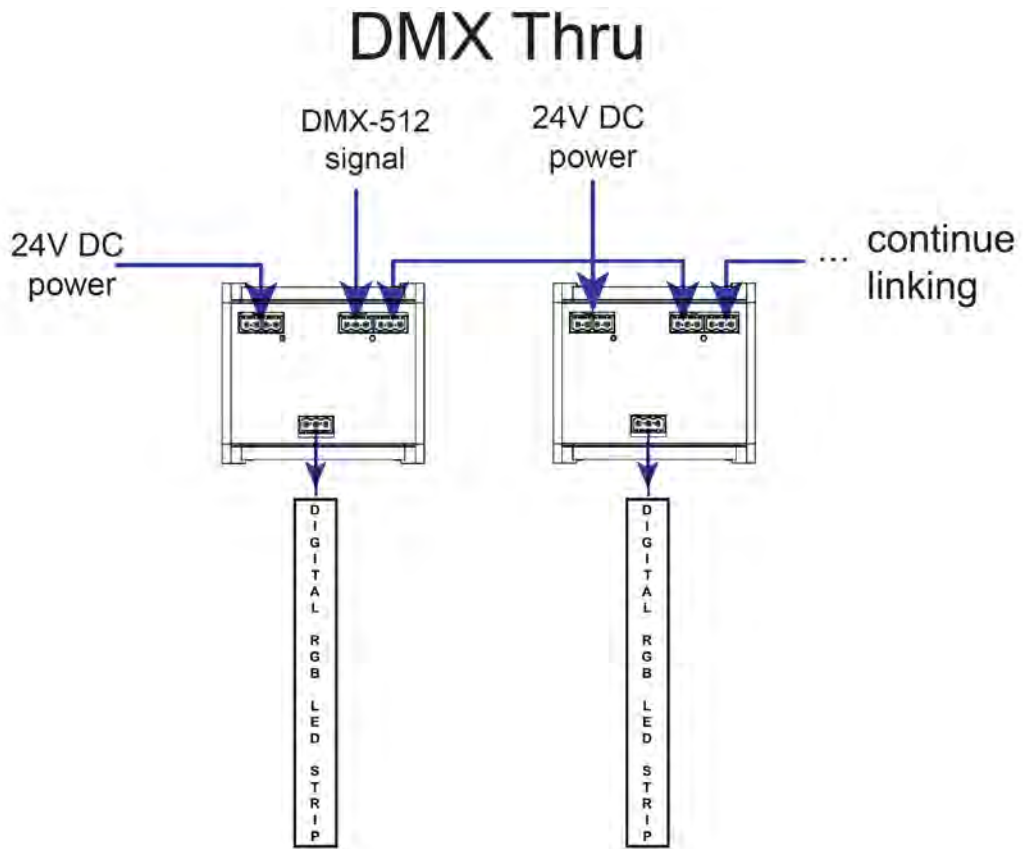
The connectors should be wired as follows:



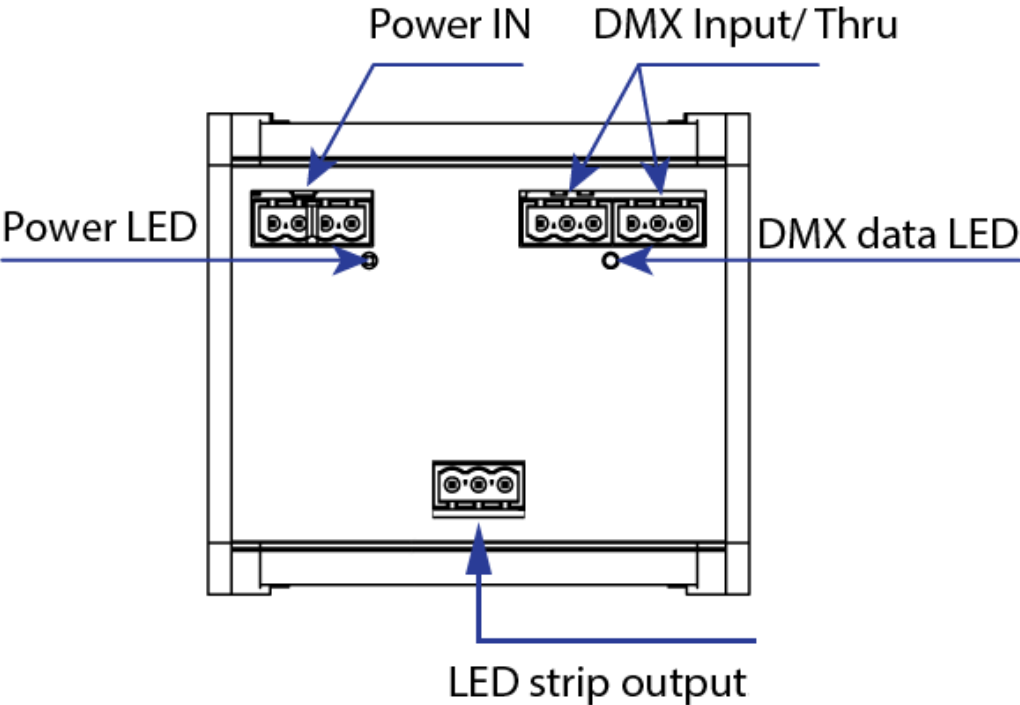
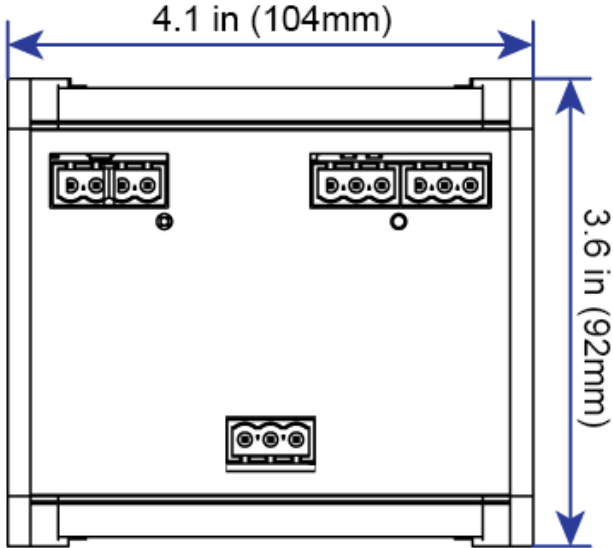
Connection Scheme for FloppyFlex Digital



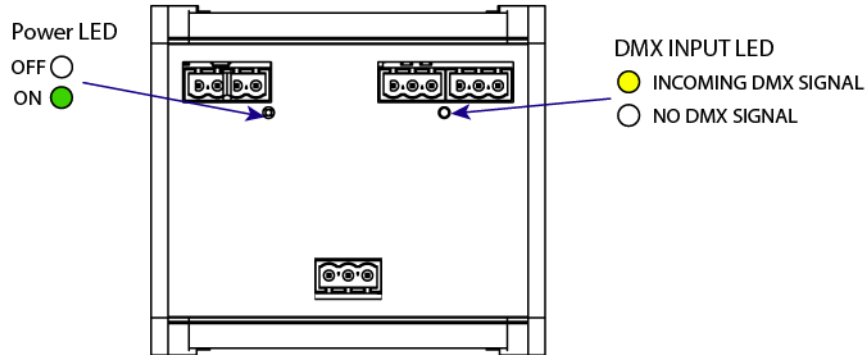
Connection scheme for DMX Thru-Port usage



Dimensions and Connections



LED Status Information



The Power LED has two states: ON and OFF.

- ON: Unit is receiving power
- OFF: Unit is not receiving power

The DMX input activity LED has two states: OFF and BLINKING YELLOW.

- OFF: There is no active incoming DMX signal.
- BLINKING YELLOW: There is an active incoming DMX signal.

DMX values for FloppyFlex Digital output

Channel	Value	Function	Pixel numb.
1	000 ↔ 255	RED intensity 0% - 100%	1
2	000 ↔ 255	GREEN intensity 0% - 100%	1
3	000 ↔ 255	BLUE intensity 0% - 100%	1
4	000 ↔ 255	RED intensity 0% - 100%	2
5	000 ↔ 255	GREEN intensity 0% - 100%	2
6	000 ↔ 255	BLUE intensity 0% - 100%	2
...
...
...
358	000 ↔ 255	RED intensity 0% - 100%	120
359	000 ↔ 255	GREEN intensity 0% - 100%	120
360	000 ↔ 255	BLUE intensity 0% - 100%	120