

ProSeries and KC 19-pin connectors available in overmold assemblies!



Rugged ProMolded assemblies offer maintenance-free performance and long service life.

- Improved strain and flex relief
- Eliminate broken terminations and pushed pins
- No more broken backshells
- Greater pull strength
- Moisture and water resistant
- Easy to handle – quick connect and disconnect
- Interfaces with all conventional 19-pin six-circuit connectors
- Industrial-strength durability – perfect for touring, studios, theaters and more
- Long-term reliability – excellent return on investment
- 10 year warranty!



Overmold also available in red, green, blue, and white colors.

ProCable™ or **STAR CABLE**
Multicables

ProSeries™ or **KC**
Components Inside

Worldwide Exclusive Distribution

sales@tmb.com

Los Angeles
+1 818.899.8818

London
+44 (0)20.8574.9700

tmb
tmbprocables.com

New York
+1 201.896.8600

Beijing
+86 10.8492.1587

Toronto
+1 519.538.0888



The ProSeries or KC connector insert is soldered by TMB's technical staff. Heat shrink tubing is applied over all connections. A strain relief is tightly crimped to the cable jacket.



A polypropylene inner mold fully encapsulates the connections and strain relief.



A Santoprene™ overmold is applied over the entire assembly including the male connector locking ring.



Unique to TMB: All standard North American Pro Cables power cable assemblies, including 6-circuit "Soca" assemblies, are CSA Listed for extra-hard, or hard, usage.

TMB offers the only assemblies fully certified as compliant with National Electrical Code Articles 520 and 530, for use in entertainment production and staging applications.

Extra Hard Usage - Pro Cables 6-circuit ProCable and StarCable assemblies, plus standard assemblies constructed with S Type cables are Listed for Extra Hard Usage. NEC Article 520 requires the use of Extra Hard Usage cables in Theaters, Audience Areas of Motion Picture and Television Studios, Performance Areas, and Similar Locations.

Hard Usage - Pro Cables standard assemblies constructed with SJ Type cables are Listed for Hard Usage. NEC Article 520 requires the use of Hard Usage cables in Motion Picture and Television Studios and Similar Locations.

ProCable™ 6-Circuit 14-Conductor Multicables

PC1214T

Extra heavy-duty portable (indoor/outdoor) 12 AWG (3.3mm²), 14-conductor, 600V 105C round cable with PVC thermoplastic insulation (UL 1015) jacketed in black, proprietary pressure-extruded thermoplastic compound (UL/cUL, style 2586).

Full specifications at: <https://tmb.com/docs/procable/pdf/ProCable-LTR-web.pdf>

PC1214WE

Extra heavy-duty portable (indoor/outdoor) 12 AWG (3.3mm²), 14-conductor (UL 1581), 600V 105C round cable with PVC thermoplastic insulation (UL 1015) jacketed in white, proprietary pressure-extruded thermoplastic compound (UL/cUL, style 2586).

Full specifications at: <https://tmb.com/docs/procable/pdf/ProCable-LTR-web.pdf>

PC1214SEO

Extra heavy-duty portable (indoor/outdoor) 12 AWG (3.3mm²), 14-conductor (ASTM B-3), 600V 105C round cable with thermoplastic elastomer insulation (UL 62) jacketed in black, oil- and water-resistant pressure-extruded thermoplastic compound (UL/cUL, style 2586).

Full specifications at: <https://tmb.com/docs/procable/pdf/ProCable-SEO-LTR-web.pdf>

PC1414

Extra heavy-duty portable (indoor/outdoor) 14 AWG (2.1mm²), 14-conductor (UL 1581), 600V 105C round cable with PVC thermoplastic insulation (UL 1015) jacketed in black, proprietary pressure-extruded thermoplastic compound (UL/cUL, style 2586).

Full specifications at: <https://tmb.com/docs/procable/pdf/ProCable-LTR-web.pdf>

PC1014

Extra heavy-duty portable (indoor/outdoor) 10 AWG (5.3mm²), 14-conductor (UL 1581), 600V 105C round cable with PVC insulation (UL 1015) jacketed in black, oil-resistant PVC compound. (UL/cUL, style 2586).

Full specifications at: <https://tmb.com/docs/procable/pdf/ProCable-LTR-web.pdf>

ProCable™ 6-Circuit 18-Conductor Multicables

PC18X1.5

Extra heavy-duty portable (indoor/outdoor) 1.5mm² copper-core conductor, 300/500V round cable, with PVC insulation, jacketed in black, chemical-resistant PVC compound. Conforms to IEC 228 CL5, IEC332-3, CE 20-22 11, and CE73/23EEC standards.

Full specifications at: <https://tmb.com/docs/procable/pdf/ProCable-CE-LTR-web.pdf>

PC18X2.5

Extra heavy-duty portable (indoor/outdoor) 2.5mm² copper-core conductor, 300/500V round cable, with PVC insulation, jacketed in black, chemical-resistant PVC compound. Conforms to IEC 228 CL5, IEC332-3, CE 20-22 11, and CE73/23EEC standards.

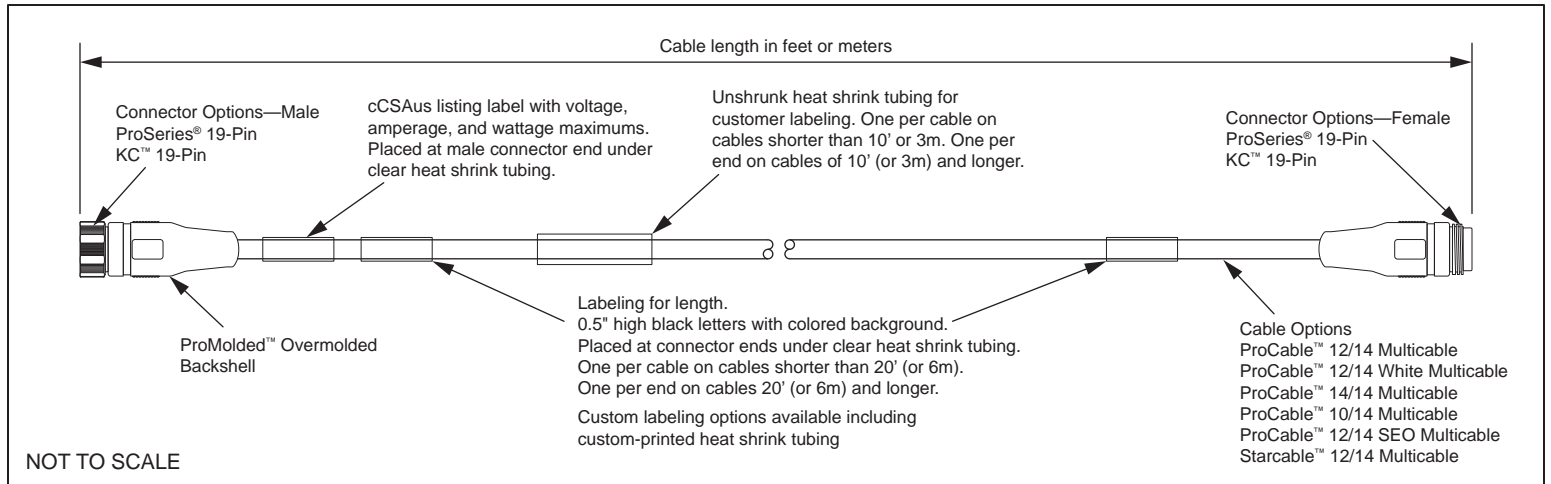
Full specifications at: <https://tmb.com/docs/procable/pdf/ProCable-CE-LTR-web.pdf>

Starcable® 6-Circuit 14-Conductor Multicable

WDP1214T

Heavy-duty portable (indoor/outdoor) 12 AWG (3.3mm²), 14-conductor (UL 1015), 600V 105C round cable with PVC insulation (UL 1015) jacketed in black, pressure-extruded PVC compound (UL/cUL, style 2586).

Full specifications at: <https://tmb.com/docs/starcable/Starcable-Multi-LTR-web.pdf>



Example Code



Z Designates cable assembly

1214	ProCable™ 12/14 Multicable
1414	ProCable™ 14/14 Multicable
1014	ProCable™ 10/14 Multicable
SEO1214	ProCable™ 12/14 SEO Multicable
DP1214	StarCable™ 12/14 Multicable

ProCable™ 12/14 White Multicable is substituted when ordering with white overmold

10	Length of cable in feet
10M	Length of cable in meters

	Skip for black overmold color
BE	Blue overmold color
GN	Green overmold color
RD	Red overmold color
WE	White overmold color*

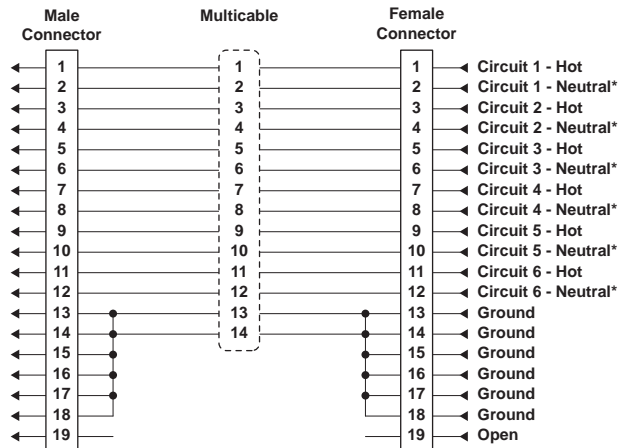
* If 12/14 Multicable is specified with WE designation, 12/14 white cable will be used.

PMP	ProSeries® Connectors - Molded
PMC	ProSeries® Crimp Connectors - Molded
KM	KC™ Connectors - Molded

L	Custom labeling per specification
S	Support grip installed

Any combination of L and S adders can be added to the assembly as required.

ELECTRICAL SCHEMATIC

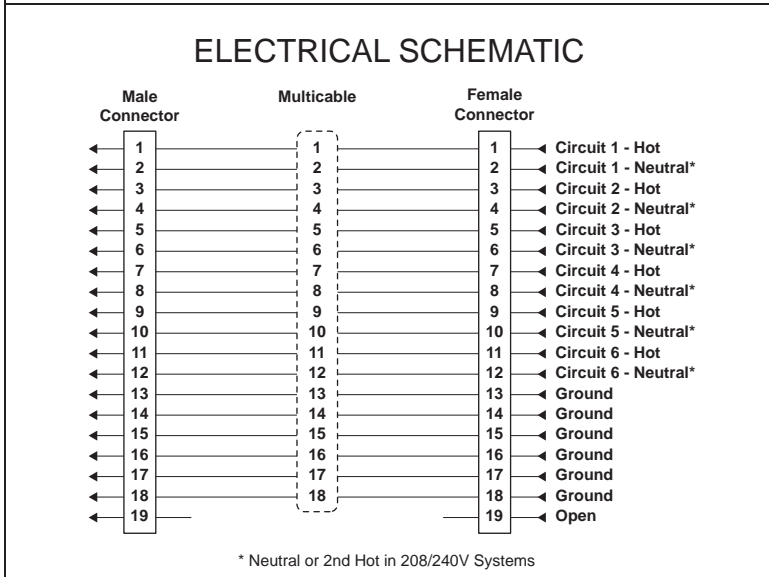
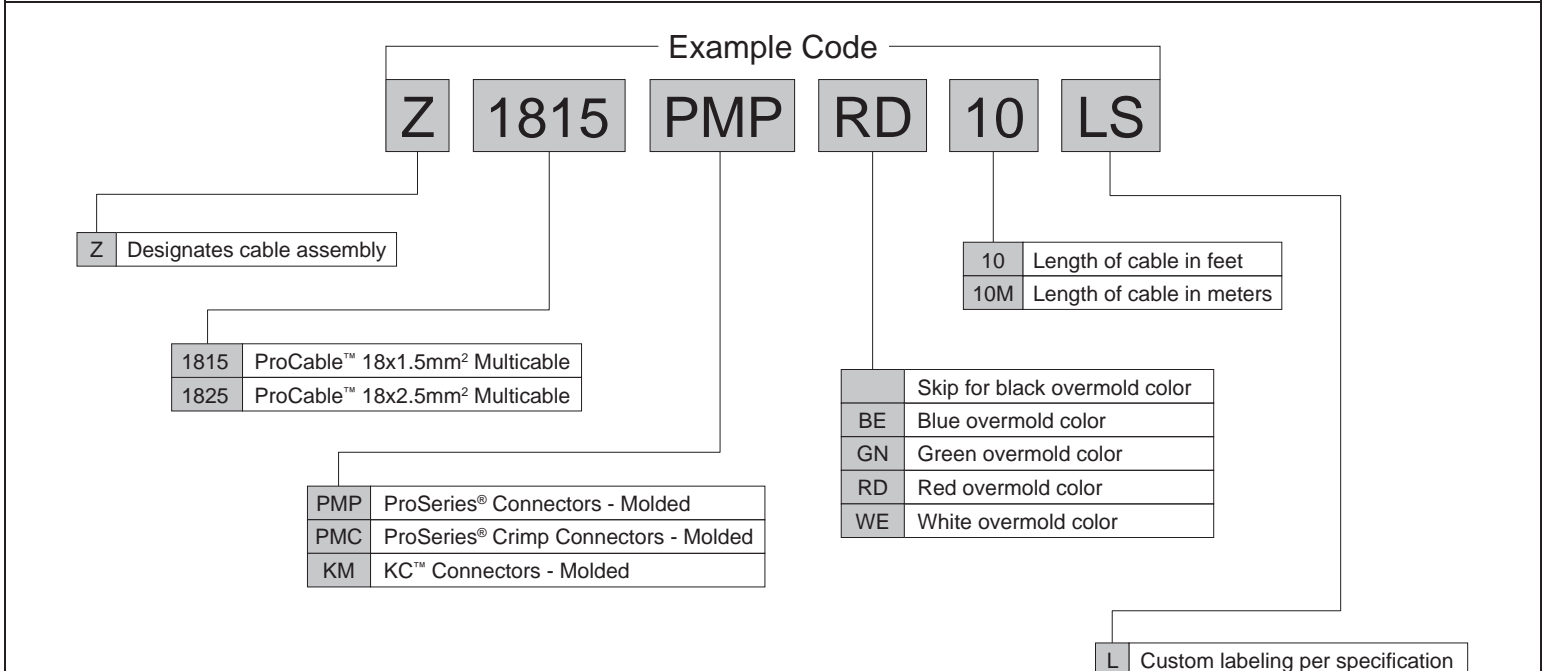
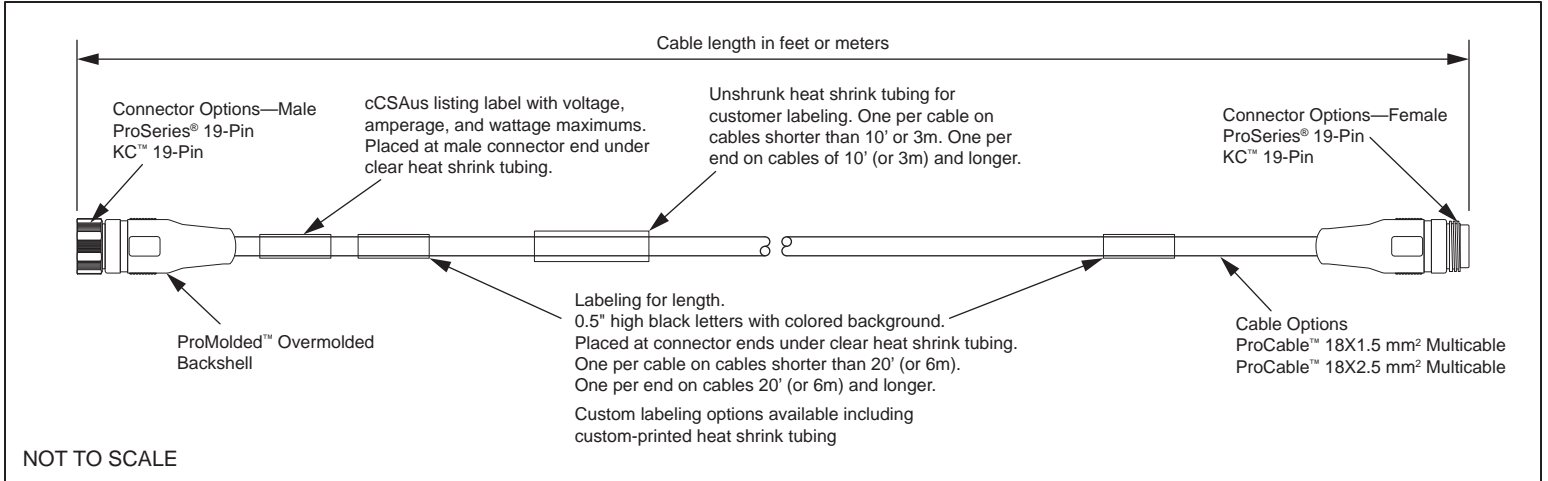


* Neutral or 2nd Hot in 208/240V Systems

ELECTRICAL RATING (for maximum length 100 ft/30m)

- 14 AWG - 15A, 300 VAC Max**, 6-circuit
- 12 AWG - 20A, 300 VAC Max**, 6-circuit
- 10 AWG - 25A, 300 VAC Max**, 6-circuit

** Maximum per NEC Table 520-44 (50% diversity of load and maximum rating of overcurrent device)



ELECTRICAL RATING

(for maximum length 100 ft/30m)

18X1.5mm² Cable - 10A, 300 VAC Max**, 6-circuit
18X2.5mm² Cable - 15A, 300 VAC Max**, 6-circuit

** Maximum per NEC Table 520-44 (50% diversity of load and maximum rating of overcurrent device)