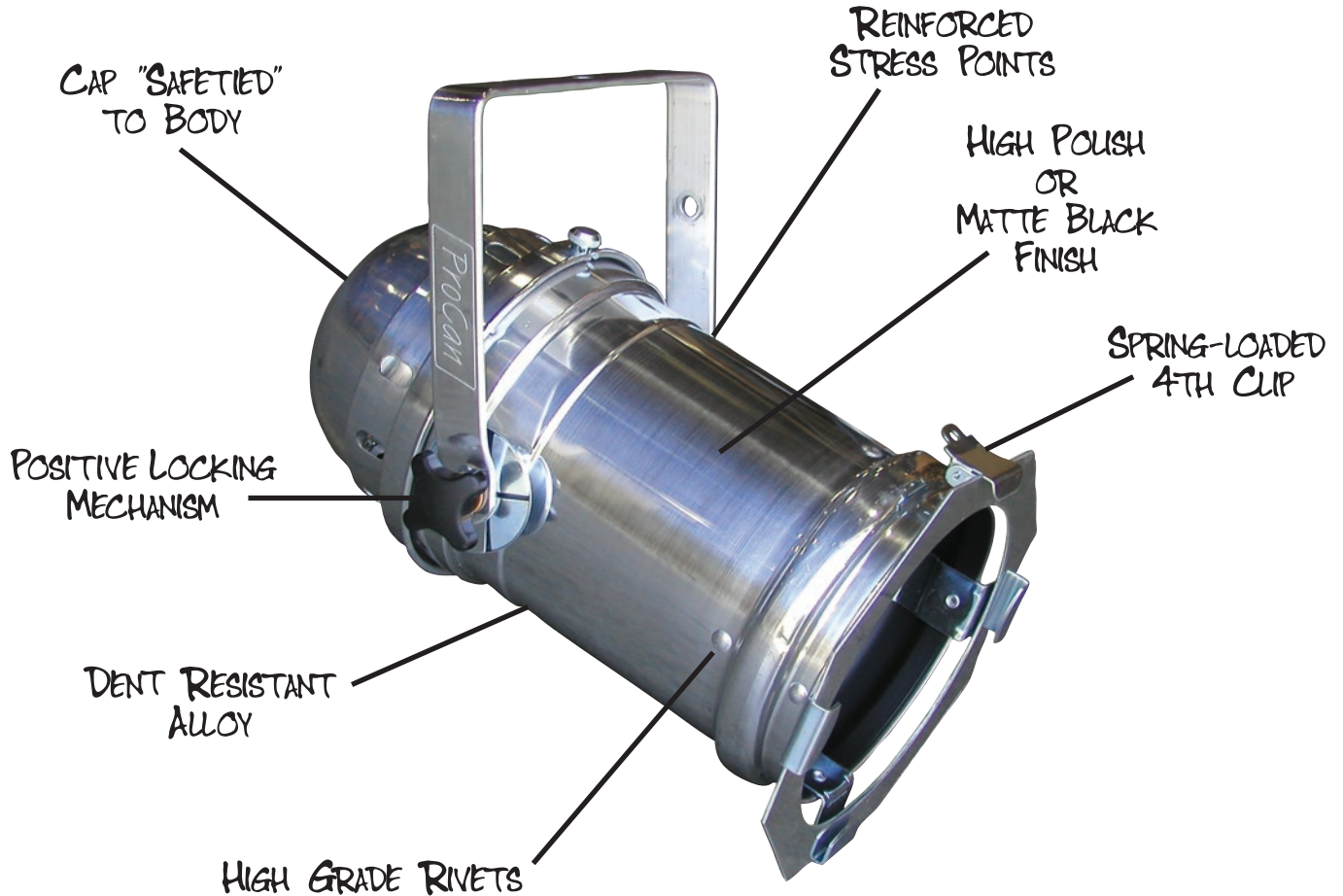


# ProCan III™

PAR64 CANS



PAR CANS FOR TOURING USE...

**ProCan™**  
PROFESSIONAL LIGHTING EQUIPMENT

**Worldwide Exclusive Distribution**

Los Angeles  
+1 818.899.8818

London  
+44 (0)20.8574.9700

New York  
+1 201.896.8600

**tmb**  
www.tmb.com

Toronto  
+1 519.538.0888

Beijing  
+86 10.8492.1587

Riga  
+37 16.868.8955

### RATINGS

Model	Max. Wattage	Base Type
PAR 64	1,000	Mogul End Prong
PAR 64 Short	1,000	Mogul End Prong

Ratings apply to cans wired by TMB. Sale of unwired cans for wiring by customer will have max. wattage determined by materials used.

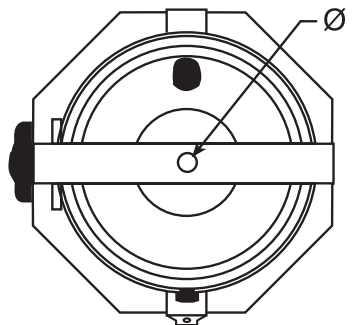
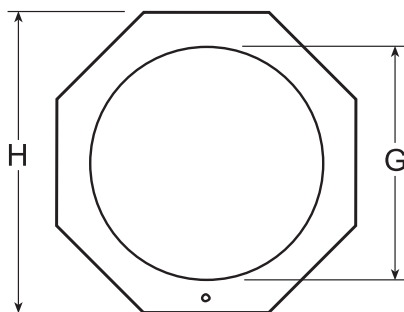
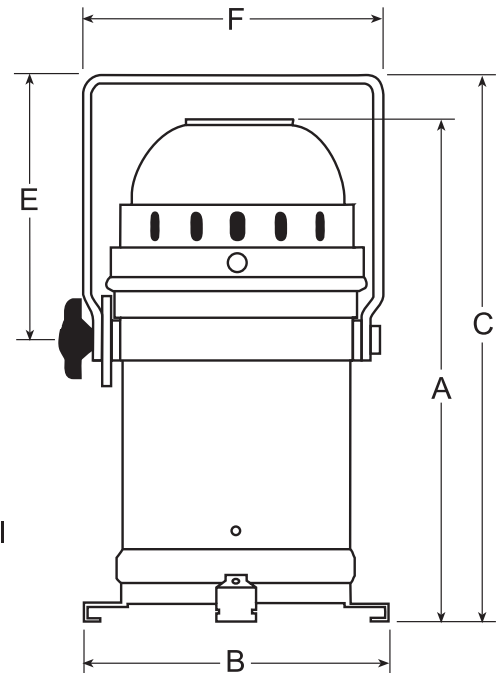
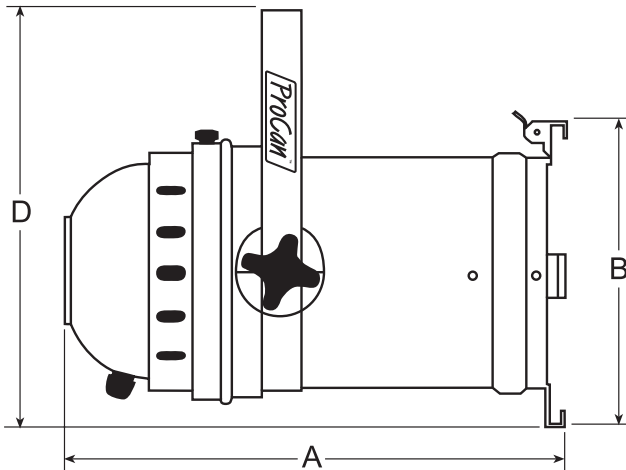
### COMMON LAMP TYPES

Lamp Type	Size	Voltage	Wattage	Fuse Size
CP60 / 61 / 62	PAR64	230V	1000W	5 Amp
CP86 / 87 / 88	PAR64	230V	500W	3 Amp
FFN / FFP / FFR / FFS	PAR64	120V	1000W	8 Amp
DYS (with Raylite Reflector)	PAR64	120V	600W	5 Amp
500PAR64	PAR64	120V	500W	5 Amp
4552	PAR64	28V	250W	10 Amp
4559 / Q4559	PAR64	28V	600W	25 Amp

Lampholder and wiring configuration varies.

### DIMENSIONS

	A	B	C	D	E	F	G	H	I	Shipping Dims (HxWxD)	Unit Weight (Unwired)	Shipping Weight	
PAR 64	Inch	16.75	10.25	18.5	14	8.75	9.5	8	10	0.5	18.5 x 9 x 9	3.8 lbs.	4.4 lbs.
	mm	425	260	470	356	222	241	203	254	12.7	470 x 229 x 229	1.72 Kg	2 Kg
PAR 64 Short	Inch	11	10.25	13.25	14.5	9.25	10	8	10	0.5	14 x 9 x 9	3.1 lbs.	3.65 lbs.
	mm	280	260	337	368	235	254	203	254	12.7	356 x 229 x 229	1.41 Kg	1.66 Kg



Los Angeles  
+1 818.899.8818

London  
+44 (0)20.8574.9700

New York  
+1 201.896.8600

**tmb**  
www.tmb.com

Toronto  
+1 519.538.0888

Beijing  
+86 10.8492.1587

Riga  
+37 16.868.8955