



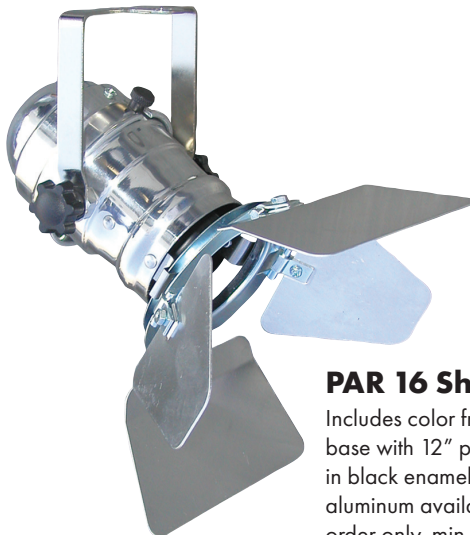
PAR 16

Includes color frame. Available in polished aluminum or black enamel finish. Line voltage version with E17 Candelabra base and molded Edison cordset for 120VAC 75 Watt max. lamp. Low Voltage version with MR16 base and 6" pigtails for 12VDC 75 Watt max. lamp



PAR 20 Short

Includes color frame and E27 medium screw base with molded Edison cordset. Available in black enamel finish. Polished aluminum available by special order only, min. qty. 120VAC 75 Watt max. lamp.



PAR 16 Short

Includes color frame and MR16 base with 12" pigtails. Available in black enamel finish. Polished aluminum available by special order only, min. qty. 12VDC 75 Watt max. lamp.

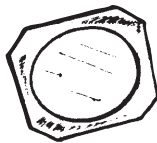


PAR 20

Includes color frame and E27 medium screw base with molded Edison cordset. Available in polished aluminum or black enamel finish. 120VAC 75 Watt max. lamp.



120 Volt JDR Lamp



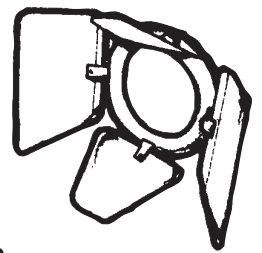
Dichroic Filter In Frame



Micro Megaclamp



12 Volt MR16 Lamp



Barndoors

Worldwide Exclusive Distribution

Los Angeles
+1 818.899.8818

London
+44 (0)20.8574.9700

New York
+1 201.896.8600

tmb
www.tmb.com

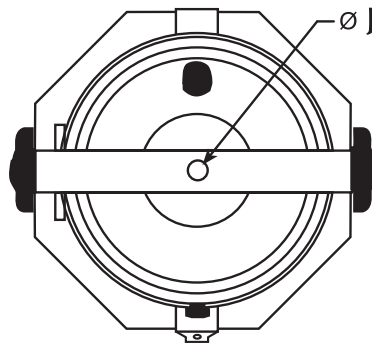
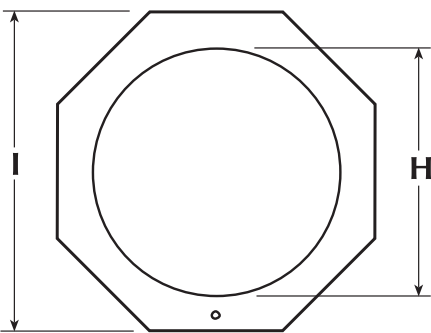
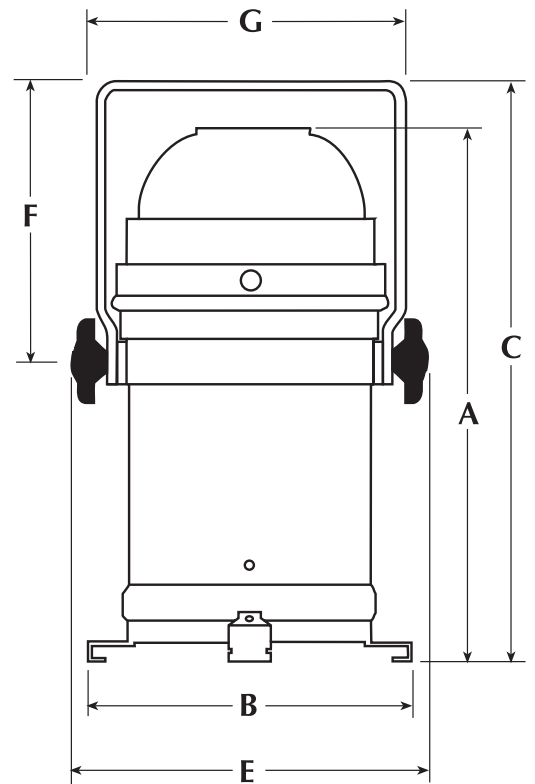
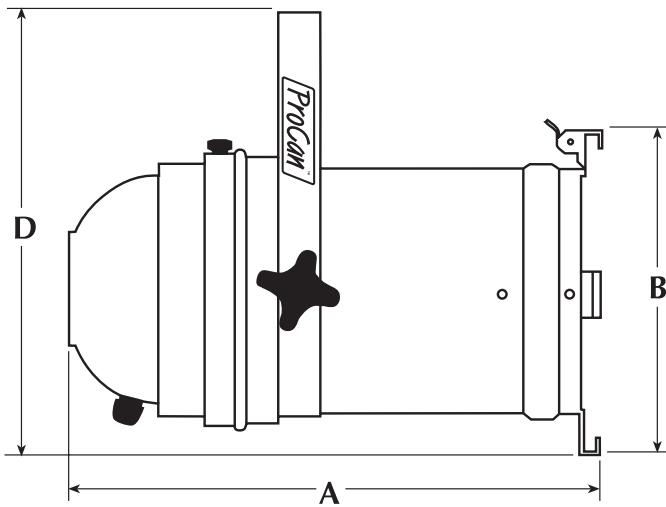
Toronto
+1 519.538.0888

Beijing
+86 10.8492.1587

Riga
+371 6389 8886

DIMENSIONS

		A	B	C	D	E	F	G	H	I	J	Shipping Dims (HxWxD)	Unit Weight	Shipping Weight
PAR 20	Inch	6.25	3.38	7.25	5.5	4.75	3.5	3.75	2.5	3.25	0.38	8.375 x 4 x 4	0.71 lbs.	0.84 lbs.
	mm	159	86	184	140	121	89	95	64	83	9.5	213 x 102 x 102	0.32 Kg	0.38 Kg
PAR 20 Short	Inch	5.25	3.38	6	5.5	4.75	3.5	3.75	2.5	3.25	0.38	7 x 4.5 x 4.5	0.66 lbs.	0.79 lbs.
	mm	133	86	152	140	121	89	95	64	83	9.5	178 x 114 x 114	0.30 Kg	0.36 Kg
PAR 16	Inch	5.75	3	6.25	4.5	4	3	3.13	2.13	2.88	0.38	6.75 x 3.75 x 3.75	0.53 lbs.	0.66 lbs.
	mm	146	76	159	114	102	76	79	54	73	9.5	171 x 95 x 95	0.24 Kg	0.30 Kg
PAR 16 Short	Inch	4.5	3	5	4.5	4	3	3.13	2.13	2.88	0.38	5.625 x 3.75 x 3.75	0.31 lbs.	0.4 lbs.
	mm	114	76	127	114	102	76	79	54	73	9.5	143 x 95 x 95	0.14 Kg	0.18 Kg



Los Angeles
+1 818.899.8818

London
+44 (0)20.8574.9700

New York
+1 201.896.8600

tmb
www.tmb.com
sales@tmb.com

Toronto
+1 519.538.0888

Beijing
+86 10.8492.1587

Riga
+371 6389 8886