



6-CIRCUIT CONNECTORS 19-PIN



Inline connector shown with PG-29 gland-style strain relief threaded into backshell.



- Fully compatible with Socapex™ “419” and other industry-standard 6-circuit connectors
- Rugged die-cast aluminum backshell and machined aluminum locking ring
- Non-conductive black anodized finish
- Hard gold-plated contacts
- Integral compression-type strain relief handles a wide range of cable sizes
- Threaded backshell also accepts standard PG-29 gland-type strain relief
- Extended ground contacts allow make first, break last operation

Worldwide Exclusive Distribution

Socapex is a registered trademark of its owner.

Los Angeles
+1 818.899.8818

London
+44 (0)20.8574.9700

New York
+1 201.896.8600

tmb
www.tmb.com

Toronto
+1 519.538.0888

Beijing
+86 10.8492.1587

Riga
+371 6389 8886

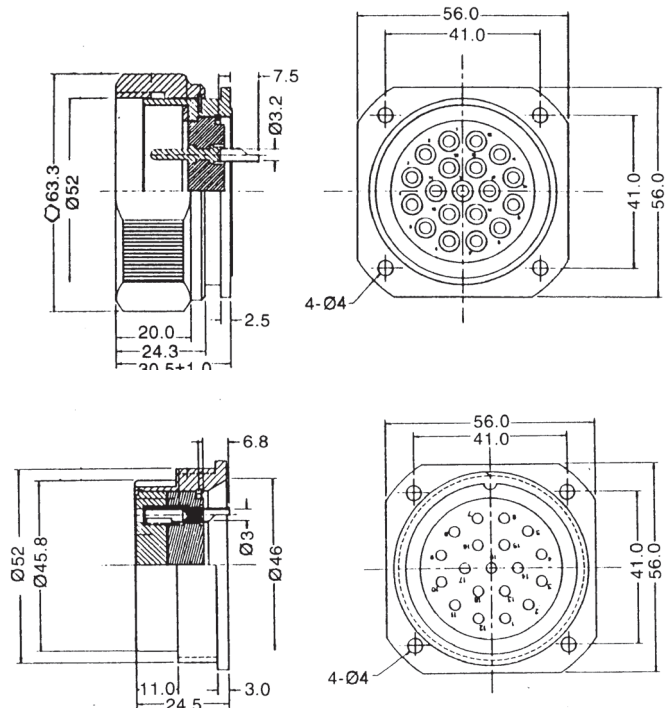


Specifications

Number of Contacts	19
Contacts Configuration	
Rated Current / Voltage	20A 250VAC
Operating Limit Voltage (v.)	400VAC
Rated Voltage (v.)	1500VAC
Insulation Resistance (MΩ Min.)	2000
Contact Resistance (MΩ Max.)	3
Operating Temperature	-40 to +85 °C
Terminal Wear	5000+ Connections

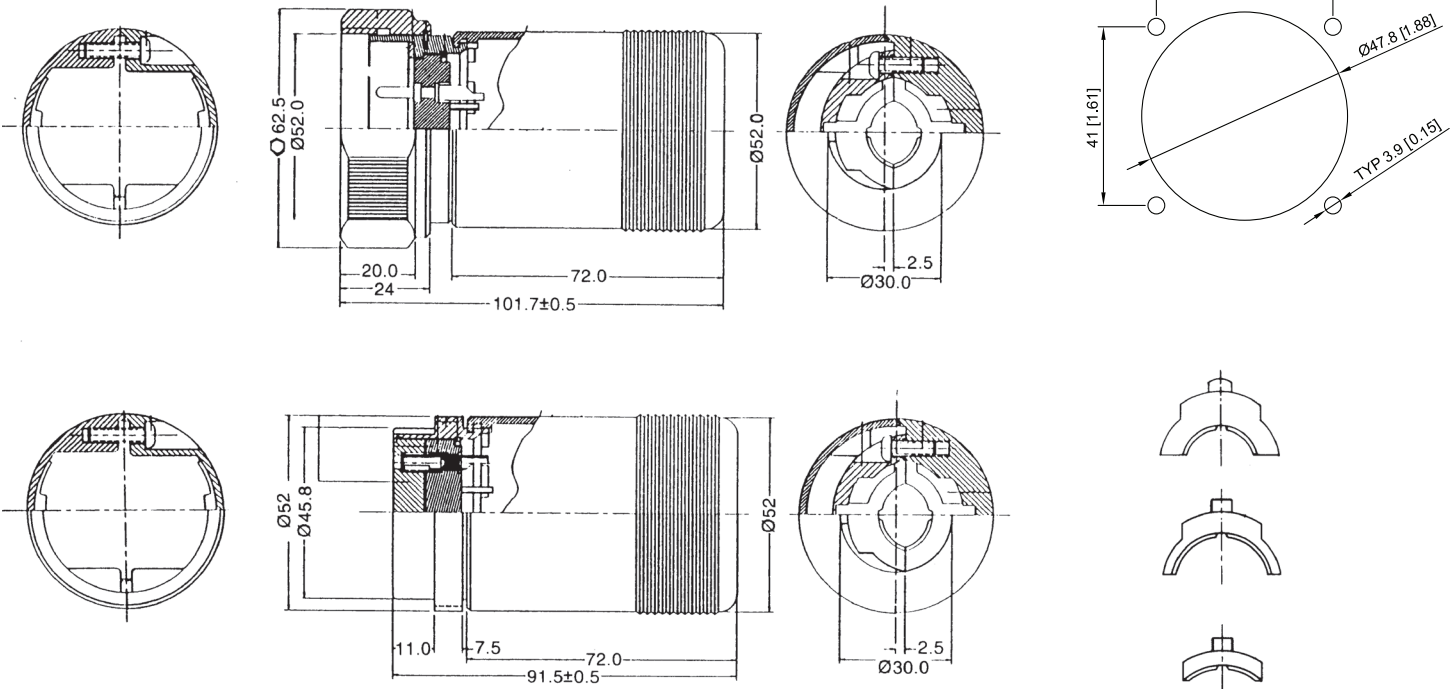
Ordering Codes

Part Number	Description	Unit Weight
KC19CF	Panel Female	0.10 Kg
KC19CM	Panel Male	0.14 Kg
KC19LF	Line Female	0.20 Kg
KC19LM	Line Male	0.24 Kg



Dimensions in millimeters

Cutout Dimensions



Los Angeles
+1 818.899.8818

London
+44 (0)20.8574.9700

New York
+1 201.896.8600



www.tmb.com

sales@tmb.com

Toronto
+1 519.538.0888

Beijing
+86 10.8492.1587

Riga
+371 6389 8886