



## 6-CIRCUIT CONNECTORS 19-PIN



Inline connector shown with PG-29 gland-style strain relief threaded into backshell.



- Fully compatible with Socapex™ “419” and other industry-standard 6-circuit connectors
- Rugged die-cast aluminium backshell and machined aluminium locking ring
- Non-conductive black anodised finish
- Hard gold-plated contacts
- Integral compression-type strain relief handles a wide range of cable sizes
- Threaded backshell also accepts standard PG-29 gland-type strain relief
- Extended earth contacts allow make first, break last operation

### Worldwide Exclusive Distribution

Socapex is a registered trademark of its owner.

Los Angeles  
+1 818.899.8818

London  
+44 (0)20.8574.9700

New York  
+1 201.896.8600

**tmb**  
www.tmb.com

Toronto  
+1 519.538.0888

Beijing  
+86 10.8492.1587

Riga  
+371 6389 8886



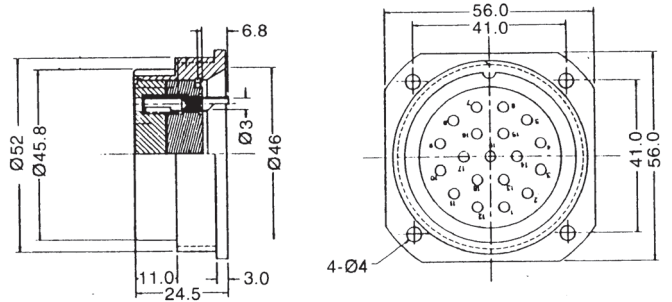
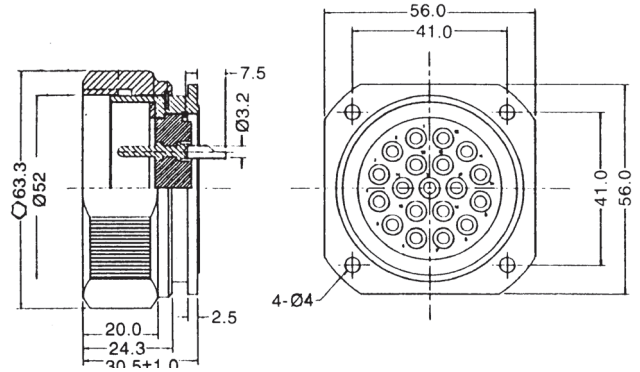
# 6-CIRCUIT CONNECTORS 19-PIN

## Specifications

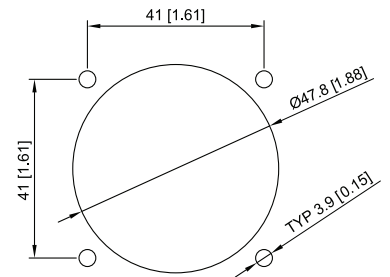
Number of Contacts	19
Contacts Configuration	
Rated Current / Voltage	20A 250VAC
Operating Limit Voltage (v.)	400VAC
Rated Voltage (v.)	1500VAC
Insulation Resistance (MΩ Min.)	2000
Contact Resistance (MΩ Max.)	3
Operating Temperature	-40 to +85 °C
Terminal Wear	5000+ Connections

## Ordering Codes

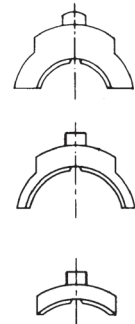
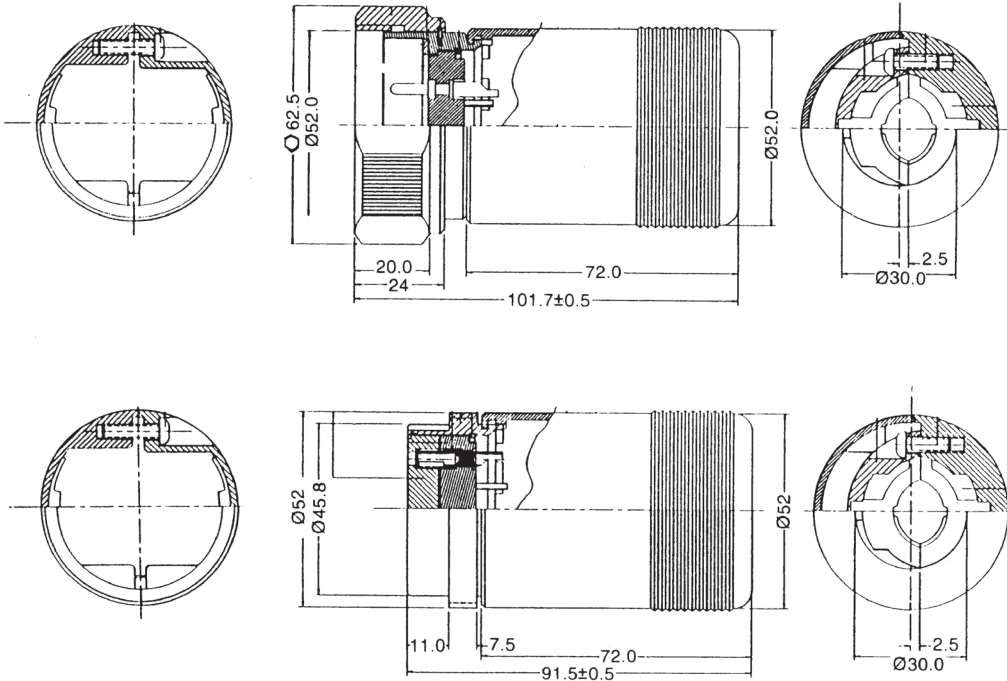
Part Number	Description	Unit Weight
KC19CF	Panel Female	0.10 Kg
KC19CM	Panel Male	0.14 Kg
KC19LF	Line Female	0.20 Kg
KC19LM	Line Male	0.24 Kg



## Cutout Dimensions



## Dimensions in millimeters



Los Angeles +1 818.899.8818 London +44 (0)20.8574.9700 New York +1 201.896.8600



Toronto +1 519.538.0888

Beijing +86 10.8492.1587

Riga +371 6389 8886