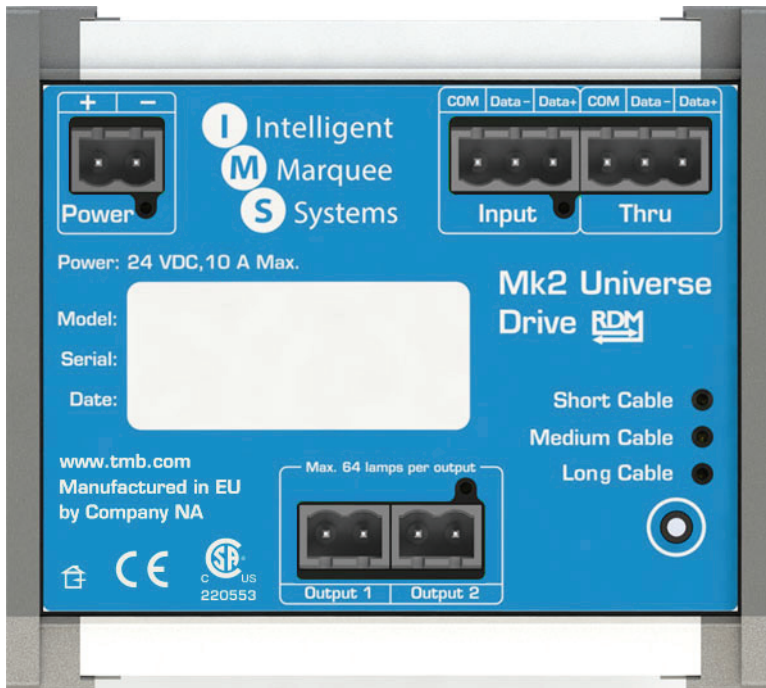


The Leader in Touring Technology, Now Coming to a Building Near You!



- Drives up to 128 IMS lamps, 64 lamps each output (may vary depending on cable length)
- Configurable for long or short cable lengths and spacings
- Signal transcoding option allows longer cable runs, or lower bit-rate dimming for artistic flexibility
- Pluggable Terminal Block (PTB) screw terminals for bare-wire, installation flexibility
- Complete range of DIN Rail Devices and Drives to make a complete system!



Worldwide Exclusive Distribution

sales@tmb.com

Los Angeles
 +1 818.899.8818

London
 +44 (0)20.8574.9700



New York
 +1 201.896.8600

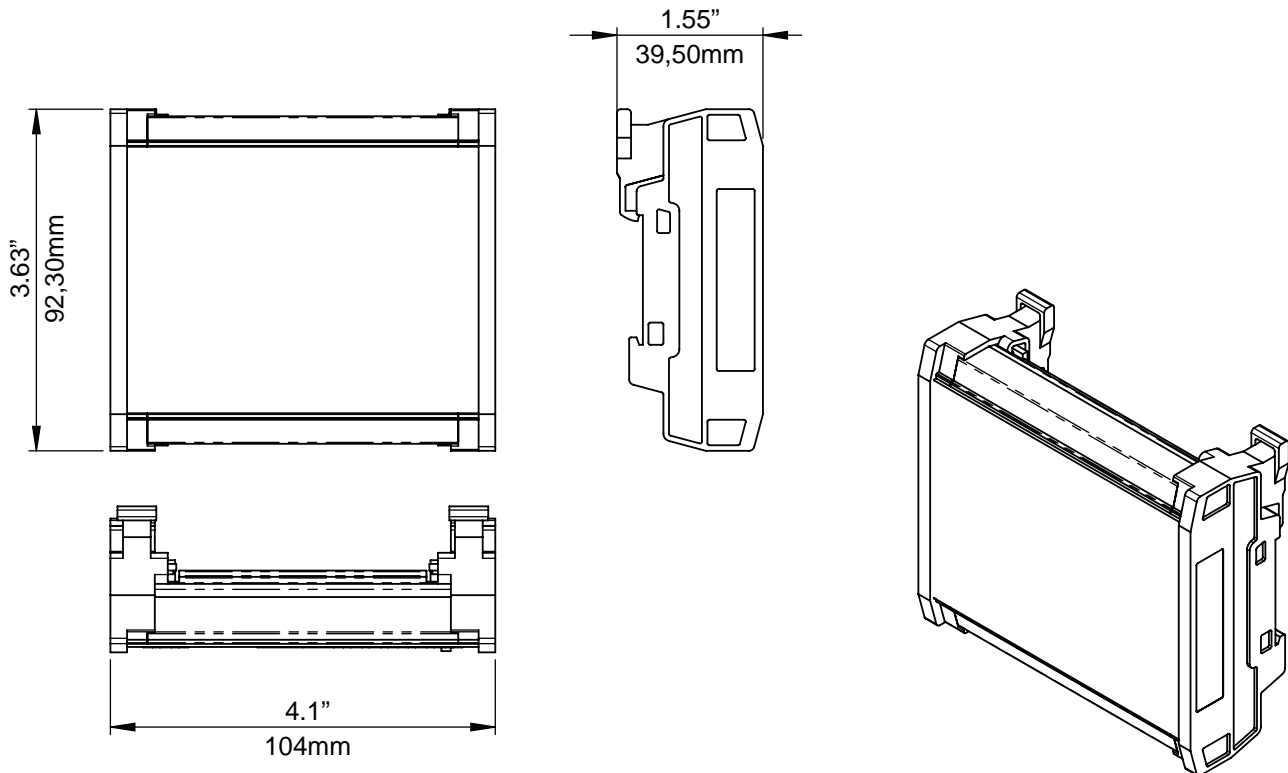
Beijing
 +86 10.8492.1587

Toronto
 +1 519.538.0888

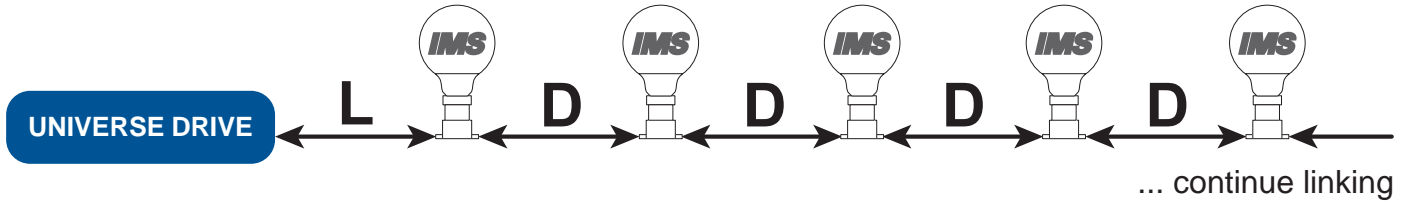
| IMS DIN Rail Universe Drive Specifications | |
|--|--|
| Operating Voltage | 24 VDC |
| Frequency Tolerance | 50-60 Hz |
| Power Consumption | External 250 W PSU required |
| Number of Outputs | 2 |
| Output Voltage | 24 VDC |
| Number of Universes | 1 |
| Power Input | Pluggable Terminal Block (PTB) 2-terminal ¹ |
| DMX512 Input | Pluggable Terminal Block (PTB) 3-terminal ¹ |
| DMX512 Thru | Pluggable Terminal Block (PTB) 3-terminal ¹ |
| Power/Data Outputs | 2x Pluggable Terminal Block (PTB) 2-terminal ¹ |
| Max. Cable Length | 246 ft. (75m) to last lamp, max. 64 lamps, using 14 AWG / 2.5 mm ² 2-conductor festoon cable ² |
| Dimensions (HxWxD) | 1.55 x 4.1 x 3.63" [39.5 x 104 x 92.3 mm] |
| Weight | 6.13 oz [174 g] |

¹ Included

² See page 3 for Cable Length / Lamp Spacing Tables



Cable Length / Lamp Spacing Tables*



| <i>if D = 15 cm</i> | | |
|-------------------------|----------|-----------------|
| Cable setting | L | Max. |
| Short | 1 m | 64 |
| Medium | 5 m | 64 |
| Long | 20 m | 64 |
| Short with transcoding | 5 m | 64 |
| Medium with transcoding | 25 m | 64 |
| Long with transcoding | 55 m | 64 |

| <i>if D = 30 cm</i> | | |
|-------------------------|----------|-----------------|
| Cable setting | L | Max. |
| Short | 1 m | 51 |
| Medium | 5 m | 64 |
| Long | 10 m | 64 |
| Short with transcoding | 5 m | 64 |
| Medium with transcoding | 20 m | 64 |
| Long with transcoding | 50 m | 64 |

| <i>if D = 50 cm</i> | | |
|-------------------------|----------|-----------------|
| Cable setting | L | Max. |
| Short | 1 m | 41 |
| Medium | 1 m | 64 |
| Long | 10 m | 64 |
| Short with transcoding | 1 m | 62 |
| Medium with transcoding | 15 m | 64 |
| Long with transcoding | 45 m | 64 |

| <i>if D = 100 cm</i> | | |
|-------------------------|----------|-----------------|
| Cable setting | L | Max. |
| Short | 1 m | 30 |
| Medium | 1 m | 46 |
| Long | 1 m | 64 |
| Short with transcoding | 1 m | 45 |
| Medium with transcoding | 1 m | 64 |
| Long with transcoding | 40 m | 64 |

| LEGEND | |
|-----------------|---|
| | IMS Lamp |
| Max. | Max. amount of working lamps |
| L | Length of cable between Universe Drive and first lamp |
| D | Distance between lamps (cm) |

* The above settings are recommended using IMS122CL3 cable. Settings may vary depending on cable type, IMS control data transfer rate, and other conditions. The settings are examples of different scenarios and their tested results.