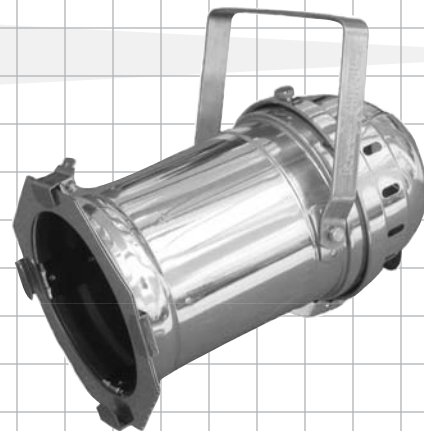


# STAR CAN PAR 64



- High quality aluminum construction.
- Heavy-duty positive-locking yoke.
- Available with bright, highly polished natural aluminum or matte black enameled finish.
- Includes EMEP ceramic socket and molded Edison cordset. (Not suitable for touring use.)
- Includes color frame and safety screen.
- 1000W maximum lamping.



COST EFFECTIVE GENERAL-PURPOSE PAR CANS



## LOS ANGELES

10643 Glenoaks Blvd.  
Pacoima, CA 91331  
USA

Tel: +1 818.899.8818  
Fax: +1 818.899.8813

## LONDON

2 Commerce Road  
Brentford, Middx TW8 8LR  
UK

Tel: +44 (0)20.8560.9652  
Fax: +44 (0)20.8560.1064

## NEW YORK

100-D W. Forest Avenue  
Englewood, NJ 07631  
USA

Tel: +1 201.541.9292  
Fax: +1 201.541.8448

## BEIJING

Unit 4, Blk 7, Shizipo  
Dongzhimenwai  
Dongcheng District  
Beijing, China 100027

Tel: +86 10.6417.2286  
Fax: +86 10.6415.9475

## TORONTO

409 Saddler St. West  
Box 654, Durham  
Ontario N0G-1R0

Tel: +1 519.369.9990  
Fax: +1 519.369.9992

# STAR CAN PAR 64

## Lamp Replacement

WARNING - Disconnect from power before re-lamping.

CAUTION - Lamp may be very hot.

- Disconnect fixture from power supply and allow to cool.
- Lift cap retainer and remove cap.
- Disconnect lampholder or wires from lamp.
- Remove lamp retaining ring by squeezing bent ends together and lifting ring away.
- Remove old lamp and replace with new lamp.
- Refit lamp retaining ring below dimples, making sure lamp can rotate freely.
- Reconnect lampholder or wires.
- Refit cap making sure that wires allow free movement of lamp.
- Connect to power and re-focus as necessary.

## Common Lamp Types

Lamp Type	Voltage	Wattage	Fuse Size
FFN / FFP / FFR / FFS	120v	1000w	8 Amp
DYS (with Raylite Reflector)	120v	600w	5 Amp
500PAR64	120v	500w	4 Amp
4552	28v	250w	10 Amp
4559 / Q4559	28v	600w	25 Amp
CP60 / 61 / 62	230v	1000w	5 Amp
CP86 / 87 / 88	230v	500w	3 Amp

Lampholder and wiring configuration varies.

## Mounting

- Make sure that no cables rest in contact with fixture body.
- Yoke of fixture may be mounted to a lighting bar, hook clamp, TV spud, or any non-flammable surface using a 3/8" bolt.
- The mounting bolt and hand nut may be used to adjust and maintain fixture position. Tighten firmly when position is correct.

## Safety

- Replace lamp if cracked or thermally deformed.
- Replace mesh screen if damaged or missing.
- Make sure that lamp can spin freely after fitting the retaining ring.
- Fixture is not rated for and must not be used in environments containing flammable or explosive materials.
- A safety cable must always be used to secure fixture to supporting framework.
- When barn doors are used, a safety cable must always be looped from the barn door frame to the fixture.
- When connecting to power supply, make sure that the fixture is properly grounded and that the supply is at the rated voltage for the lamp and observe the correct polarity.
- Maximum rated ambient temperature is 113° F (45° C).
- Maximum rated voltage is 250 volts.
- Nominal frequency is 50/60 Hertz.

