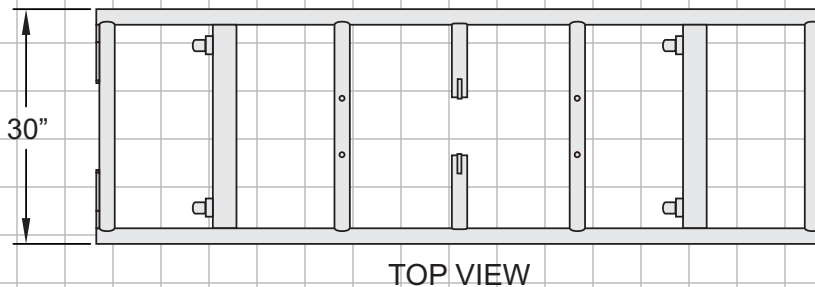
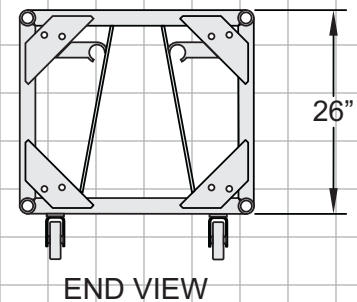
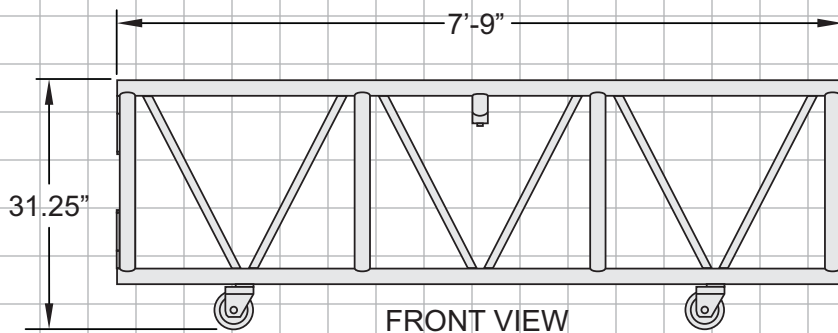
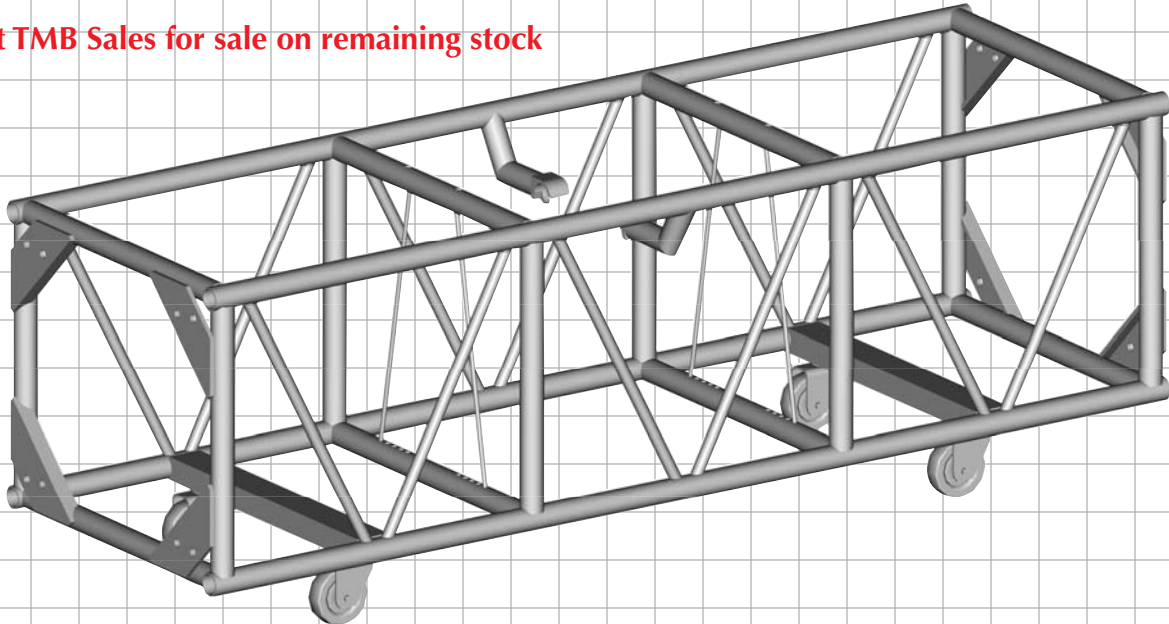




# Pre-Rigged Truss 30" x 26" Plated

## PRODUCT DISCONTINUED

Contact TMB Sales for sale on remaining stock



- Meets ASI and ESTA Standards
- Bolts included.
- Main chords are 2" OD x 1/8" 6351T6 and 6082T6 aluminum.
- Diagonals are 1" OD x 1/8" 6351T6 and 6082T6 aluminum.



### LOS ANGELES

10643 Glenoaks Blvd.  
Pacoima, CA 91331  
USA

Tel: +1 818.899.8818  
Fax: +1 818.899.8813

### LONDON

2 Commerce Road  
Brentford, Middx TW8 8LR  
UK

Tel: +44 (0)20.8560.9652  
Fax: +44 (0)20.8560.1064

### NEW YORK

100 Asia Place  
Carlstadt, NJ 07072  
USA

Tel: +1 201.896.8600  
Fax: +1 201.896.8601

### BEIJING

Unit 4, Blk 7, Shizipo  
Dongzhimenwai  
Dongcheng District  
Beijing, China 100027

Tel: +86 10.6417.2286  
Fax: +86 10.6415.9475

### TORONTO

409 Saddler St. West  
Box 654, Durham  
Ontario N0G-1R0

Tel: +1 519.369.9990  
Fax: +1 519.369.9992



# Pre-Rigged Truss 30" x 26" Plated

## ProSpan PRT 30" x 26" - ALLOWABLE LOADING

SPAN LENGTH		UNIFORMLY DISTRIBUTED LOAD				MAXIMUM ALLOWABLE POINT LOADS					
		lbs	kgs	lbs/ft	kg/m	lbs	kgs	lbs	kgs	lbs	kgs
7.75	2.36	11613	5279	1498	2234	5806	2639	4355	1979	2903	1320
15.5	4.73	5806	2639	375	559	2903	1320	2177	990	1452	660
23.3	7.09	3871	1760	166	248	1935	880	1452	660	968	440
31.0	9.45	2903	1320	94	140	1452	660	1089	495	726	330
38.8	11.81	2323	1056	60	89	1161	528	871	396	581	264
46.5	14.18	1935	880	42	62	968	440	726	330	484	220
54.3	16.54	1659	754	31	46	829	377	622	283	415	189
62.0	18.90	1452	660	23	35	726	330	544	247	363	165

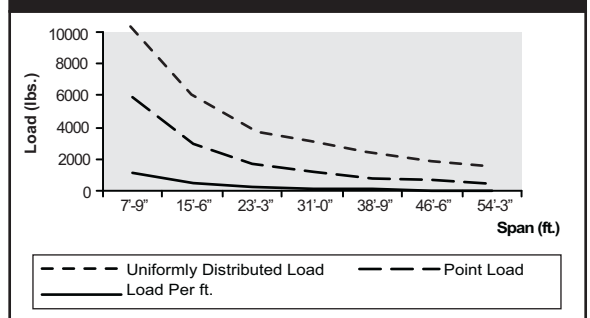
Tested to ESTA standards. Tested with 7'-9" sections.

### Standard Unit Weights

Item	Weight	
	lbs	kgs
93" Section - PRT Truss	109	49

Other truss lengths and cornerblock configurations available.

### ProSpan PRT 30" x 26" - LOADING



# PRODUCT DISCONTINUED

Contact TMB Sales for sale on remaining stock