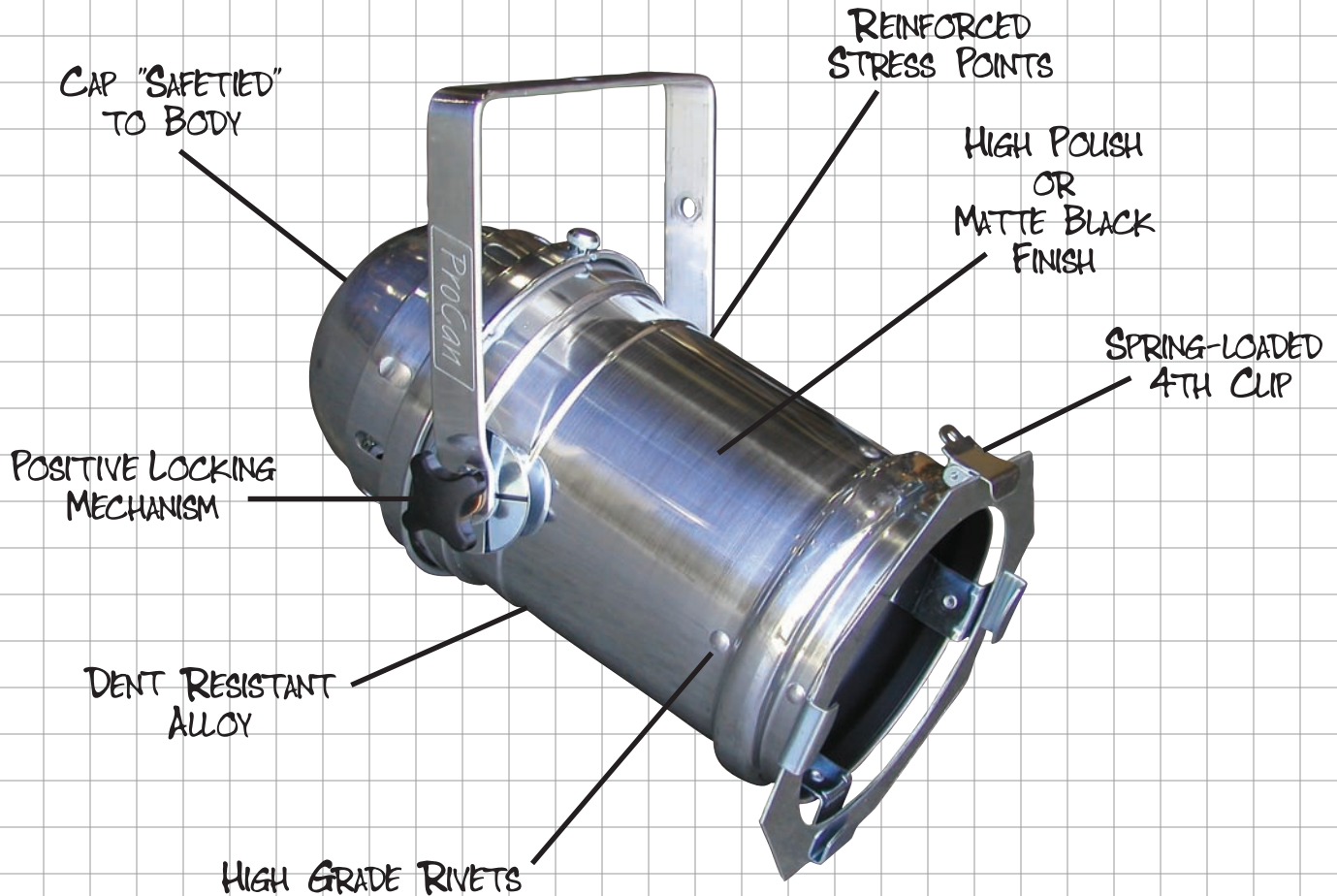


ProCan III™

**ETL LISTED
VERSION
AVAILABLE**



PAR CANS FOR TOURING USE...

ProCan™

PROFESSIONAL LIGHTING EQUIPMENT



LOS ANGELES

10643 Glenoaks Blvd.
Pacoima, CA 91331
USA

Tel: +1 818.899.8818
Fax: +1 818.899.8813

LONDON

21 Armstrong Way
Southall
UB2 4SD England

Tel: +44 (0)20.8574.9700
Fax: +44 (0)20.8574.9701

NEW YORK

100 Asia Place
Carlstadt, NJ 07072
USA

Tel: +1 201.896.8600
Fax: +1 201.896.8601

BEIJING

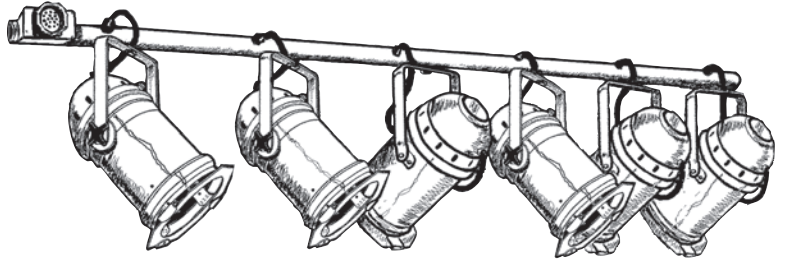
No. 309, Building 6
Sanlitun Nanlu
Chaoyang District
Beijing, China 100027

Tel: +86 10.8492.1587
Fax: +86 10.8492.7635

TORONTO

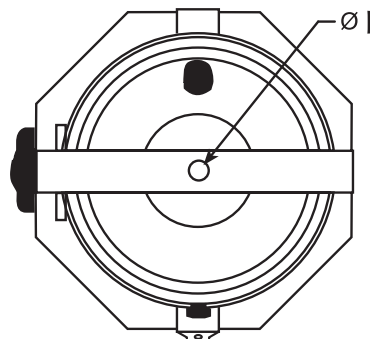
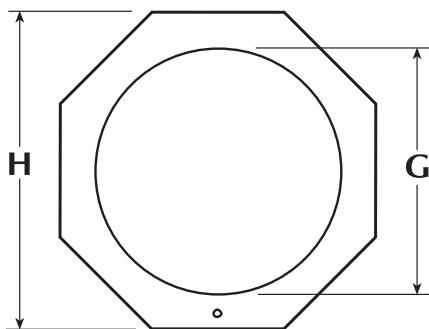
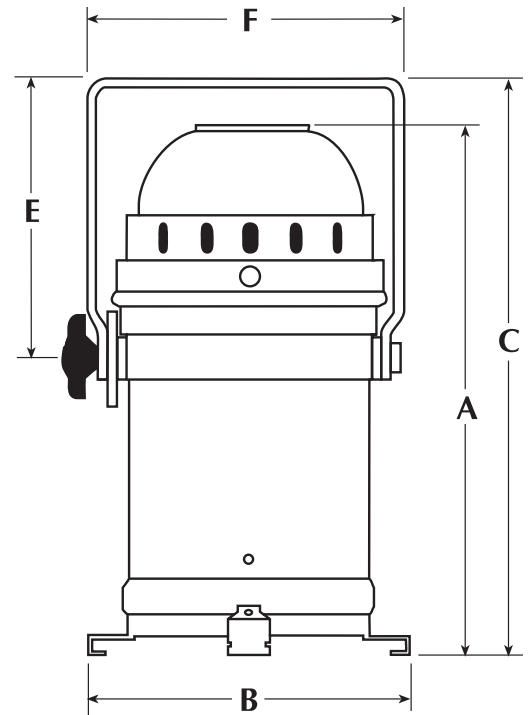
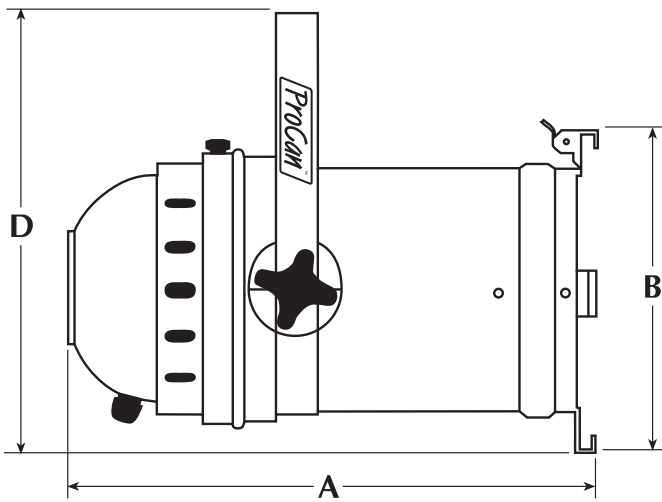
409 Saddle St. West
Box 654, Durham
Ontario N0G-1R0

Tel: +1 519.369.9990
Fax: +1 519.369.9992



DIMENSIONS

| | | A | B | C | D | E | F | G | H | I | Shipping Dims (HxWxD) | Unit Weight (Unwired) | Shipping Weight |
|--------------|------|-------|-------|-------|------|------|-----|-----|-----|------|-----------------------|-----------------------|-----------------|
| PAR 64 | Inch | 16.75 | 10.25 | 18.5 | 14 | 8.75 | 9.5 | 8 | 10 | 0.5 | 18.5 x 9 x 9 | 3.8 lbs. | 4.4 lbs. |
| | mm | 425 | 260 | 470 | 356 | 222 | 241 | 203 | 254 | 12.7 | 470 x 229 x 229 | 1.72 Kg | 2 Kg |
| PAR 64 Short | Inch | 11 | 10.25 | 13.25 | 14.5 | 9.25 | 10 | 8 | 10 | 0.5 | 14 x 9 x 9 | 3.1 lbs. | 3.65 lbs. |
| | mm | 280 | 260 | 337 | 368 | 235 | 254 | 203 | 254 | 12.7 | 356 x 229 x 229 | 1.41 Kg | 1.66 Kg |
| PAR 56 | Inch | 14.5 | 9.25 | 15.75 | 12 | 7.75 | 8.5 | 6.5 | 9 | 0.5 | 16 x 8 x 8 | 3.5 lbs. | 2.65 lbs. |
| | mm | 368 | 235 | 400 | 305 | 197 | 216 | 165 | 229 | 12.7 | 406 x 203 x 203 | 1.59 Kg | 1.2 Kg |
| PAR 46 | Inch | 11.75 | 7.75 | 13.5 | 11 | 6.75 | 7 | 5.5 | 7.5 | 0.5 | 14.25 x 7.25 x 7.25 | 2.7 lbs. | 2.5 lbs. |
| | mm | 298 | 197 | 343 | 280 | 172 | 178 | 140 | 190 | 12.7 | 362 x 184 x 184 | 1.22 Kg | 1.13 Kg |



COMMON LAMP TYPES

| Lamp Type | Voltage | Wattage | Fuse Size |
|------------------------------|---------|---------|-----------|
| CP60 / 61 / 62 | 230V | 1000W | 5 Amp |
| CP86 / 87 / 88 | 230V | 500W | 3 Amp |
| FFN / FFP / FFR / FFS | 120V | 1000W | 8 Amp |
| DYS (with Raylite Reflector) | 120V | 600W | 5 Amp |
| 500PAR64 | 120V | 500W | 4 Amp |
| 4552 | 28V | 250W | 10 Amp |
| 4559 / Q4559 | 28V | 600W | 25 Amp |

Lampholder and wiring configuration varies.