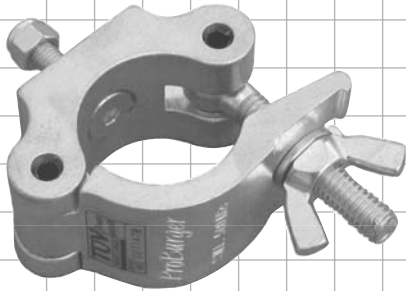
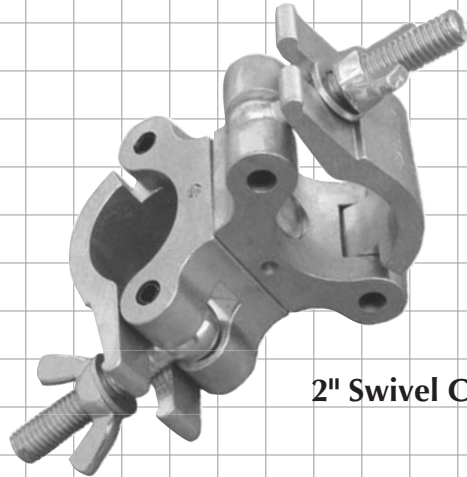


ProBurger™

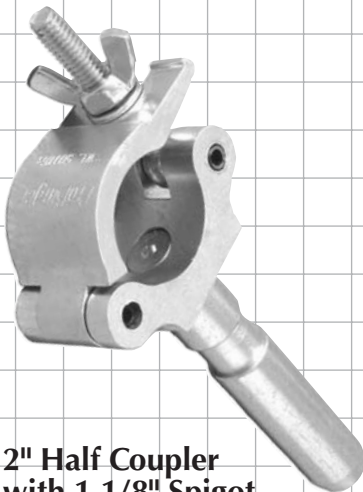
PROFESSIONAL COUPLERS



2" Half Coupler



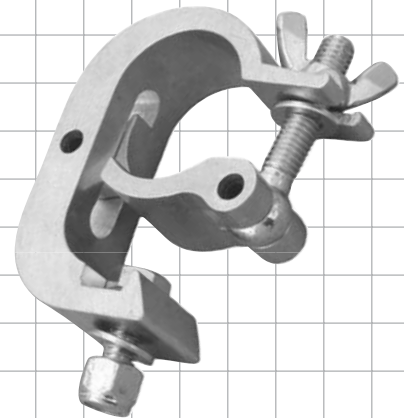
2" Swivel Coupler



2" Half Coupler
with 1 1/8" Spigot



1" Half Coupler



2" Snap Coupler

Black Anodized Versions Now Available

ProBurger couplers are constructed from a certified high tensile-strength 6061 T6 aluminium extrusion. They attach securely to tubes and combine strength and durability with a high degree of safety. PRBHCM10 and PRBSNC1/2 are TUV certified.

ProBurger provides entertainment industry users with a great deal of flexibility in creating attachments to meet their individual requirements.



LOS ANGELES

10643 Glenoaks Blvd.
Pacoima, CA 91331
USA

Tel: +1 818.899.8818
Fax: +1 818.899.8813

LONDON

21 Armstrong Way
Southall
UB2 4SD England

Tel: +44 (0)20.8574.9700
Fax: +44 (0)20.8574.9701

NEW YORK

100 Asia Place
Carlstadt, NJ 07072
USA

Tel: +1 201.896.8600
Fax: +1 201.896.8601

BEIJING

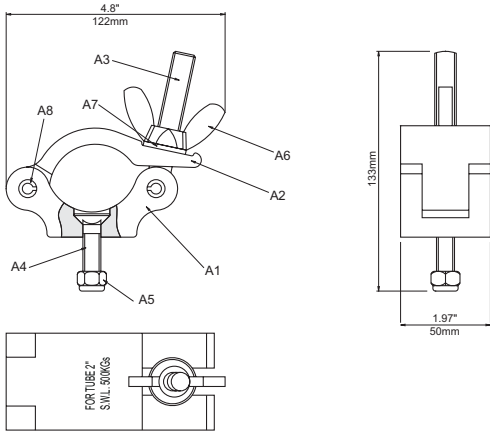
No. 309, Building 6
Sanlitun Nanlu
Chaoyang District
Beijing, China 100027

Tel: +86 10.8492.1587
Fax: +86 10.8492.7635

TORONTO

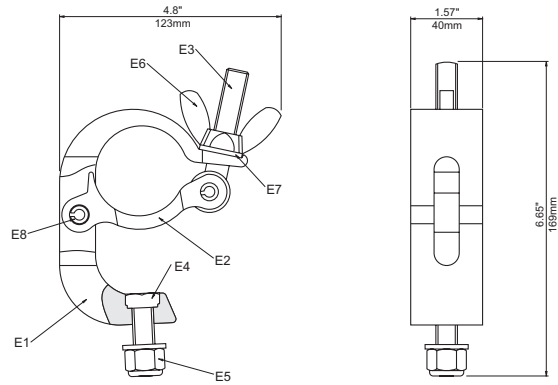
409 Saddle St. West
Box 654, Durham
Ontario N0G-1R0

Tel: +1 519.369.9990
Fax: +1 519.369.9992



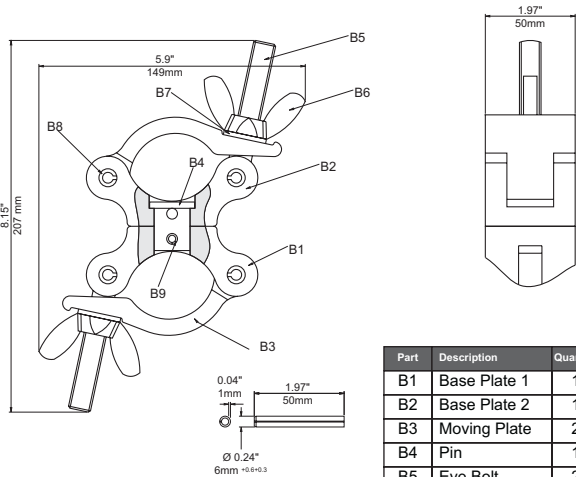
PRBHCM10	M10 Mounting Bolt Natural Finish	500 Kg S.W.L.
PRBHCM10B	M10 Mounting Bolt Black Anodized Finish	500 Kg S.W.L.
PRBHC1/2	1/2" Mounting Bolt Natural Finish	500 Kg S.W.L.
PRBHC1/2B	1/2" Mounting Bolt Black Anodized Finish	500 Kg S.W.L.

Part	Description	Quantity	Dimension
A1	Base Plate	1	
A2	Moving Plate	1	
A3	Eye Bolt	1	1/2"-12
A4	Carriage Bolt	1	M10
A4 Alt.	Carriage Bolt 1/2" ver.	1	1/2"-13
A5	Hex Locking Nut	1	M10
A6	Wing Nut	1	1/2"-12
A7	Washer	1	1/2"
A8	Spring Pin	2	10X45mm



PRBSNC1/2	1/2" Mounting Bolt Natural Finish	200 Kg S.W.L.
PRBSNC1/2B	1/2" Mounting Bolt Black Anodized Finish	200 Kg S.W.L.

Part	Description	Quantity	Dimension
E1	Base Plate	1	
E2	Moving Plate	1	
E3	Eye Bolt	1	1/2"-12
E4	Screw	1	1/2"-13X1.5"
E5	Hex Locking Nut	1	1/2"-13
E6	Wing-Nut	1	1/2"-12
E7	Washer	2	1/2"
E8	Spring Pin	2	10X35mm

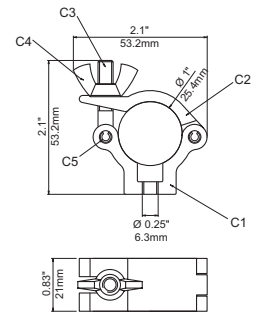


PRBSC	Swivel Coupler Natural Finish	500 Kg S.W.L.
PRBSCB	Swivel Coupler Black Anodized Finish	500 Kg S.W.L.

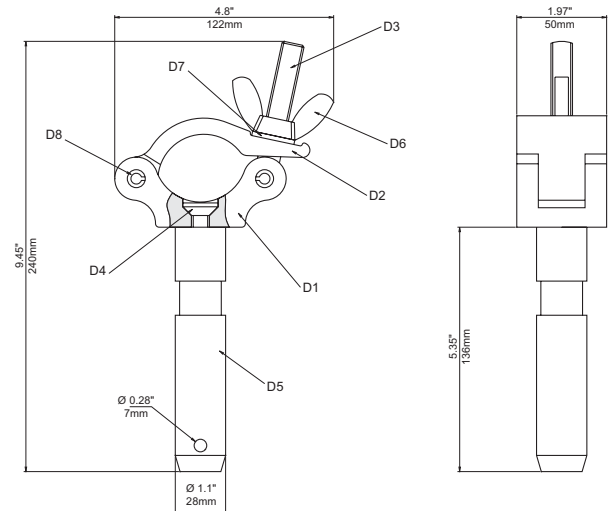
Part	Description	Quantity	Dimension
B1	Base Plate 1	1	
B2	Base Plate 2	1	
B3	Moving Plate	2	
B4	Pin	1	
B5	Eye Bolt	2	1/2"-12
B6	Wing Nut	2	1/2"-12
B7	Washer	2	1/2"
B8	Spring Pin	4	10X45mm
B9	Spring Pin	2	6X50mm

Includes roll pin for fixing to 90° angle.

Part	Description	Quantity	Dimension
C1	Base Plate	1	
C2	Moving Plate	1	
C3	Eye Bolt	1	
C4	Wing Nut	1	
C5	Spring Pin	2	5X21mm

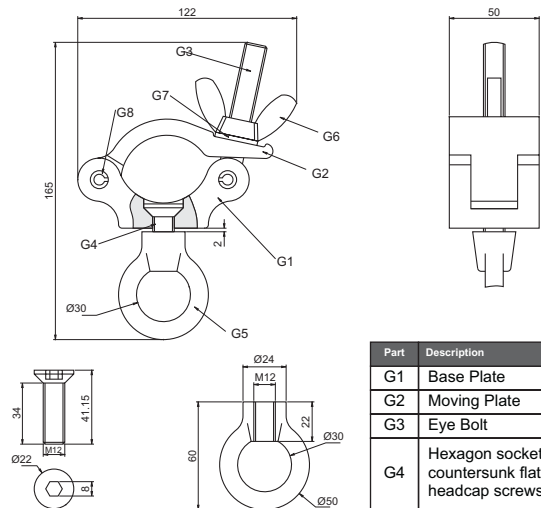


PRBHC1	1/4" Mounting Bolt (bolt not included) Natural Finish	50 Kg S.W.L.
---------------	---	-----------------



PRBSPC	1 1/8" spigot Natural Finish	500 Kg S.W.L.
---------------	---------------------------------	------------------

Part	Description	Quantity	Dimension
D1	Base Plate	1	
D2	Moving Plate	1	
D3	Eye Bolt	1	1/2"-12
D4	Hexagon socket countersunk flat headcap screws	1	
D5	Pin	1	
D6	Wing Nut	1	1/2"-12
D7	Washer	1	1/2"
D8	Spring Pin	2	10X45mm



PRBERC	M12 Eye Ring Natural Finish	500 Kg S.W.L.
---------------	--------------------------------	------------------

Part	Description	Quantity	Dimension
G1	Base Plate	1	
G2	Moving Plate	1	
G3	Eye Bolt	1	1/2"-12
G4	Hexagon socket countersunk flat headcap screws	1	
G5	Hoisting-ring Nut	1	M12
G6	Wing-Nut	1	1/2"-12
G7	Washer	1	1/2"
G8	Spring-Pin	2	10X45