

19-PIN CONNECTORS



Inline connector shown with PG-29 gland-style strain relief threaded into backshell.



- Fully compatible with Socapex "419" and other industry-standard 6-circuit connectors
- Rugged die-cast aluminum backshell and machined aluminum locking ring
- Non-conductive black anodized finish
- Hard gold-plated contacts
- Integral compression-type strain relief handles a wide range of cable sizes
- Threaded backshell also accepts standard PG-29 gland-type strain relief
- Extended ground contacts allow make first, break last operation

Socapex is a registered trademark of its owner.



LOS ANGELES

10643 Glenoaks Blvd.
Pacoima, CA 91331
USA

Tel: +1 818.899.8818
Fax: +1 818.899.8813

LONDON

21 Armstrong Way
Southall
UB2 4SD England

Tel: +44 (0)20.8574.9700
Fax: +44 (0)20.8574.9701

NEW YORK

100 Asia Place
Carlstadt, NJ 07072
USA

Tel: +1 201.896.8600
Fax: +1 201.896.8601

BEIJING

No. 309, Building 6
Sanlitun Nanlu
Chaoyang District
Beijing, China 100027

Tel: +86 10.8492.1587
Fax: +86 10.8492.7635

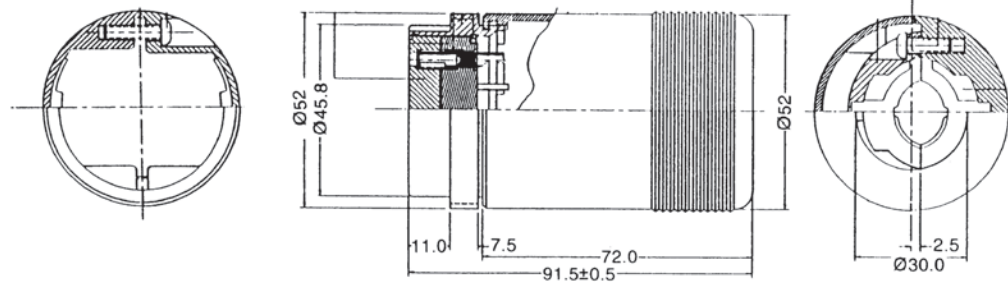
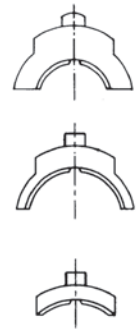
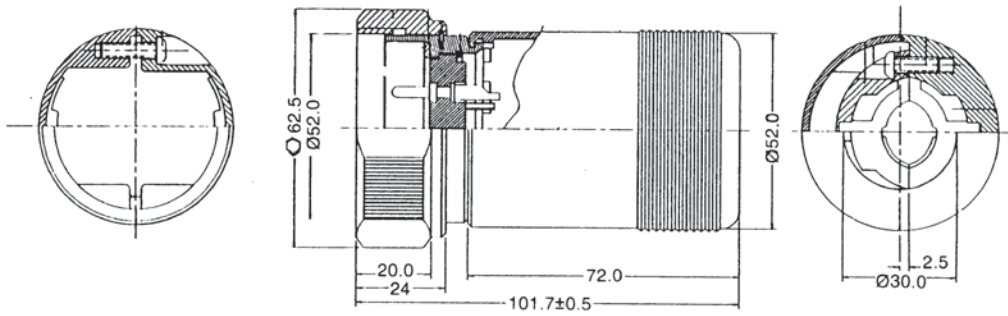
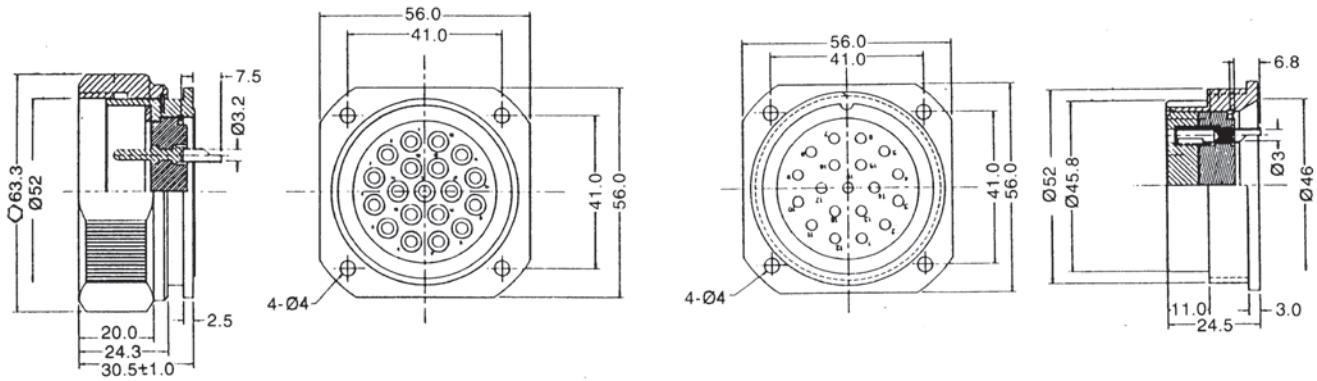
TORONTO

409 Saddle St. West
Box 654, Durham
Ontario N0G-1R0

Tel: +1 519.369.9990
Fax: +1 519.369.9992



19-PIN CONNECTORS



Number of Contacts	19
Contacts Configuration	
Rated Current / Voltage	20A 250VAC
Operating Limit Voltage (v.)	400VAC
Rated Voltage (v.)	1500VAC
Insulation Resistance (MΩ Min.)	2000
Contact Resistance (MΩ Max.)	3

Part Number	Description	Unit Weight
KC19CF	Panel Female	0.10 Kg
KC19CM	Panel Male	0.14 Kg
KC19LF	Line Female	0.20 Kg
KC19LM	Line Male	0.24 Kg

Operating Temperature	-40 to +85° C
Terminal Wear	5000+ Connections